

The right choice for the ultimate yield!

LS ELECTRIC strives to maximize your profits in gratitude for choosing us as your partner.

iS7 CANopen Option User Manual

SV-iS7 series

User's Manual



Safety Instructions

- Use this board after read Safety Instruction of this manual carefully before using and follow the instructions exactly.
- Please hand this user manual to end user and trouble shooting manager
- After read this manual, keep it at handy for future reference.
- 사용 전에 '안전상의 주의사항'을 반드시 읽고 정확하게 사용하여 주십시오.
- 본 설명서는 제품을 사용하는 사람이 항상 볼 수 있는 곳에 잘 보관하십시오.



LS ELECTRIC

Safety Precaution



First thank you for using our iS7 CANOpen Option Board!

Please follow the following safety attentions since they are intended to prevent any possible accident and danger so that you can use this product safely and correctly.

Safety attentions may classify into 'Warning' and 'Caution' and their meaning is as following:

Symbol	Meaning
 WARNING	This symbol indicates the possibility of death or serious injury.
 CAUTION	This symbol indicates the possibility of injury or damage to property.

The meaning of each symbol in this manual and on your equipment is as follows.

Symbol	Meaning
	This is the safety alert symbol. Read and follow instructions carefully to avoid dangerous situation.
	This symbol alerts the user to the presence of "dangerous voltage" inside the product that might cause harm or electric shock.

After reading this manual, keep it in the place that the user always can contact. This manual should be given to the person who actually uses the products and is responsible for their maintenance.

 **WARNING**

- **Do not remove the cover while power is applied or the unit is in operation.**
Otherwise, electric shock could occur.
- **Do not run the inverter with the front cover removed.**
Otherwise, you may get an electric shock due to high voltage terminals or charged capacitor exposure.
- **Do not remove the cover except for periodic inspections or wiring, even if the input power is not applied.**
Otherwise, you may access the charged circuits and get an electric shock.
- **Wiring and periodic inspections should be performed at least 10 minutes after disconnecting the input power and after checking the DC link voltage is discharged with a meter (below DC 30V).**
Otherwise, you may get an electric shock.
- **Operate the switches with dry hands.**
Otherwise, you may get an electric shock.
- **Do not use the cable when its insulating tube is damaged.**
Otherwise, you may get an electric shock.
- **Do not subject the cables to scratches, excessive stress, heavy loads or pinching.**
Otherwise, you may get an electric shock.

 **CAUTION**

- **Be cautious when handling CMOS elements on the option board.**
It may cause a failure due to static electricity.
- **When changing and connecting communication signal lines, proceed the work while the inverter is turned off.**
It may cause a communication error or failure.
- **Make sure to connect the inverter body to the option board connector accurately coincided each other.**
It may cause a communication error or failure.
- **Make sure to check the parameter unit when setting parameters.**
It may cause a communication error.

Table of Contents

Table of Contents.....	3
1. Introduction	6
1.1 What is CANopen?	6
1.2 What are the Benefits of Using the CANopen Option Board?.....	6
1.3 Components	6
2. SV-iS7 CANopen Communication Option.....	7
2.1 General Specification of CANopen Communication Card.....	7
2.2 External Appearance of Communication Card	8
Installation	8
2.3 Maximum Communication Range according to Baud Rate	9
3. Diagnosis of the Option Statuses and LED Definition	10
3.1 Definition of the LED Signal.....	10
3.2 Diagnosis of Option by LED Signal	10
4. Data Communication Protocol of the CANopen	13
4.1 Communication Protocol of the CANopen.....	13
4.1.1 CAN-ID	13
4.1.2 SDO communication.....	14
4.1.3 PDO communication.....	14
4.1.3.1 Transmission modes.....	14
4.1.3.2 Triggering modes.....	14
4.2 NMT (Network Management) state machine.....	15
4.2.1 NMT state initialization.....	16
4.2.2 NMT state pre-operational.....	16
4.2.3 NMT state operational	16
4.2.4 NMT state stopped	16
4.2.5 The frames enabling communication by NMT status	17
4.3 Error Control Protocols	17
4.3.1 Protocol node guarding	17
4.3.2 Protocol heartbeat	18
4.4 CANopen EDS File.....	19
5. Detailed Specification of Communication Profile Specific Objects	20
5.1 Device Type.....	20
5.2 Error Register	20
5.3 Pre-defined Error Field	20
5.4 COB-ID SYNC Message	21

I/O POINT MAP

5.5	Manufacturer Device Name.....	21
5.6	Manufacturer Hardware Version.....	22
5.7	Manufacturer Software Version	22
5.8	Guard Time.....	22
5.9	Life Time Factor.....	22
5.10	Store Parameters.....	23
5.11	COB-ID EMCY.....	23
5.12	Producer Heartbeat Time	23
6.	Profile.....	24
6.1	CiA 402 Drive and Motion Control Device Profile.....	24
6.1.1	Finite state automation	24
6.1.2	CiA 402 SDO	25
6.1.2.1	Error codes (Object: 0x603F)	25
6.1.2.2	Control word (Object: 0x6040).....	26
6.1.2.3	Statusword (Object: 0x6041)	28
6.1.2.4	vl target velocity (Object: 0x6042)	29
6.1.2.5	vl velocity demand (Object: 0x6043)	29
6.1.2.6	vl velocity actual value (Object: 0x6044)	30
6.1.2.7	vl velocity min max amount (Object: 0x6046).....	31
6.1.2.8	vl velocity acceleration (Object: 0x6048).....	31
6.1.2.9	vl velocity deceleration (Object: 0x6049).....	32
6.1.2.10	vl velocity Quick Stop (Object: 0x604A).....	34
6.1.3	SDO for IS7	35
6.1.3.1	SDO address in common area	35
6.1.3.2	SDO address in the keypad parameter area.....	36
6.2	PDO.....	36
6.2.1	RPDO	36
6.2.2	RPDO mapping	37
6.2.2.1	RPDO1 mapping	37
6.2.2.2	RPDO3 mapping	37
6.2.3	TPDO.....	38
6.2.4	TPDO mapping.....	39
6.2.4.1	TPDO1 mapping.....	39
6.2.4.2	TPDO3 mapping.....	39
7.	Inverter Parameter.....	40
7.1	Related Parameter List.....	40

7.2	Description on the Basic Field Bus Parameters	41
7.2.1	COM 07 FBus ID	41
7.2.2	COM 09 FBus LED	41
7.2.3	COM 94 Comm Update	42
7.3	Description on the Opt Parameter	42
7.3.1	COM 10 Opt Parameter1	42
7.3.2	COM 11 Opt Parameter2	42
7.4	Parameter Setting for the Periodic Communication	42
7.4.1	COM 31~34 Para Status	42
7.4.2	COM 51~54 Para Control	43
7.5	Parameter setting for the Lost Command	43
7.5.1	PRT-12 Lost Cmd Mode	43
7.5.2	PRT-13 Lost Cmd Time	43
7.5.3	PRT-14 Lost Preset F	43

1. Introduction

1.1 What is CANopen?

The CANopen is a Fieldbus using the CAN (Controller Area Network) specified by the CiA (CAN in Automation) Association. Currently, the CANopen is used in machine control, medical equipments, autos, and building automation.

1.2 What are the Benefits of Using the CANopen Option Board?

Inverters can be monitored and controlled by PLC sequence program or any master module.

Multiple inverters can be connected with a single communication line, saving the installation cost. Simple and clean wiring makes installation and maintenance works much easier and faster.

Various peripheral devices of PLC can be used to control inverters. Various systems including PCs can be linked for plant automation.

1.3 Components

The option board is comprised with following components;

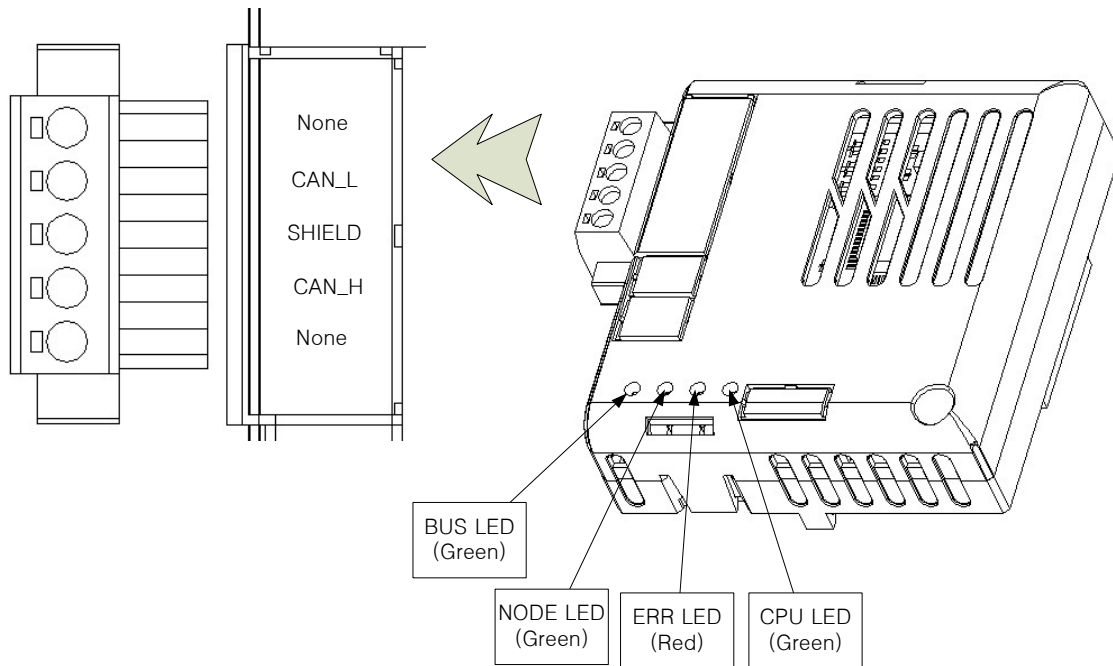
- . CANopen Communication Card: 1 ea
- . CANopen User Manual: 1 ea
- . Fixing Screw (M3): 1 ea
- . Terminal resistance (120Ω , 1/2W): 1 ea

2. SV-iS7 CANopen Communication Option

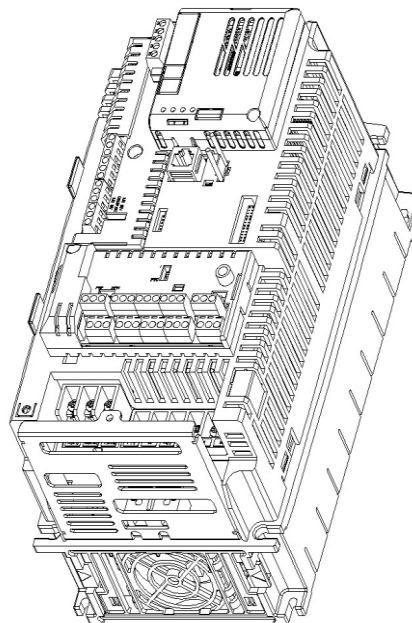
2.1 General Specification of CANopen Communication Card

Items		Description
Power Supply	Power supply of CANopen communication card	Supplied from inverter.
Network Topology		Bus Topology
Communication BaudRate		20kbps, 50kbps, 100kbps, 125kbps, 250kbps, 500kbps, 800kbps, 1Mbps
Max. number of Node		64 ea (Including Master) With 1 Master connected to network, the maximum number of inverter nodes is 63 (64-1).
Device Type		AC Drive
Supported Communication Type		PDO, SDO, Sync, NMT
Terminal Resistance		120 ohm 1/2W Lead Type
Available PDO		PDO1 (CiA 402 Drive and Motion Control device profile) PDO3 (LS Profile)
Vender Name		0x7D (LS ELECTRIC)
PDO Mapping		N/A
Group Messaging		N/A
LSS Supported		N/A

2.2 External Appearance of Communication Card



Installation



Precautions for Installation)

Do not install or remove the CANopen communication card while the power supply of the equipment is ON. Otherwise, both the CANopen communication card and the inverter may be damaged. Install or remove the CANopen communication card when the condenser of the inverter has been fully discharged.

Do not change the connection of communication signal wire while the inverter power is on.

Make sure that the inverter terminal and the connector of the option board are in agreement.

When building a network, make sure to connect the terminal resistance to the CANopen communication card at the end position. The terminating resistor, a 120 ohm 1/2W resistor, should connect the CAN_L and CAN_H.

2.3 Maximum Communication Range according to Baud Rate

In a network system, the total length of the network line is determined by the baud rate. The performance of the communication farther than this distance is not guaranteed.

Baud Rate	Bus Length	Remark
1 Mbit/s	25 m	-
800 Kbit/s	50 m	-
500 Kbit/s	100 m	-
250 Kbit/s	250 m	-
125 Kbit/s	500 m	-
100 Kbit/s	700 m	-
50 Kbit/s	1000 m	-
20 Kbit/s	2500 m	-

3. Diagnosis of the Option Statuses and LED Definition

3.1 Definition of the LED Signal

The CANopen communication option has 4 LEDs.

LED	Description
CPU	When the Option card is energized and the CPU is in normal operation state, this LED is turned on and off at 1 second cycle – on for 500 ms and off for 500 ms.
ERR	This LED turns on if the Option parameters have been set up inappropriately, or the Internal CAN communication between the inverter and the CANopen is lost.
NODE	This LED turns on according to the status of the current NMT (Network Management).
BUS	This LED turns on or off according to the baud rate or profile set up, or communication status.

3.2 Diagnosis of Option by LED Signal

LED	LED Signal	Option Status	Possible Cause	Action
CPU	Kept OFF	No Power	Failure in power supply (5V) to the CANopen communication card	Check inverter power supply. Check power supply to the CANopen communication card
	Blink at 1 sec intervals	On Power	5V power supplied	Normal status
ERR	Kept OFF	No Error	Normal Option setting	Normal status
	Blinks synchronously with the CPU LED	Internal CAN communication Error	Data communication between the inverter and Option is lost.	Turn the inverter power off, reinstall the Option card and turn the power on again.
	Blinks asynchronously with the CPU LED	FBus ID Setting Error	'0' is entered as the ID of the COM-7 FBus	Enter a figure between 1~127, not zero, into the FBus ID, and execute COM-94 Comm Update

ERR	Blinks at an interval twice as long as that of the CPU LED.	Opt Parameter Setting	The parameters for the CANopen entered using keypad differ from those set up in the CANopen option card.	Run COMM Update to apply the CANopen parameter set up with keyboard. To maintain the CANopen parameters, set up with the previous values, or turn off and on the inverter power supply. Though the ERR LED may blink, the CANopen is driven with the previous set up values.
NODE	Kept OFF	CANopen Not Initial	If the NODE LED has not been turned on yet after the CANopen Option has been energized, the CANopen has not been initialized yet and is not ready for CANopen communication.	Wait until lit. If not, set the COMM Update of the COM-94 to Yes.
	Kept OFF	CANopen Stopped	If the NODE LED has been lit at least by once, the CANopen Master has issued a Stopped command.	Normal status.
	Blinks synchronously with the CPU LED	CANopen Pre-Operational	CANopen communication available with the Master, but the connection with the Master has not been made yet.	Normal status.
	Kept ON	CANopen Operational	Master has been connected and communicating with the CANopen normally.	Normal status.

I/O POINT MAP

BUS	Kept ON	CANopen Network Bus No Error	No problem in the CANopen Network.	Normal status.
	Blinks synchronously with the CPU LED	CANopen Profile Setting Error	The profile set up on the CANopen Master differs from that set up in the Option.	Check that the PDOs set up in the Master and Option are identical.
	Blinks at an interval twice as long as that of the CPU LED	PDO Communication Not Connected	CANopen's communication speed is different.	Check that the baud rate of the CANopen set up in the Master and that in the Option are identical.
	Blinks at an interval twice as long as that of the CPU LED Kept OFF	PDO Communication Not Connected Bus Off	Master has not been connected for communication yet.	Check that the Master has started communication.
			Network line has not been connected yet.	Check that Network Line has been connected.
			CANopen Option is isolated from the network due to problem in the network.	Check the connection with the Network Line. Check tightness of bolts and nuts. Turn the power on and off.

4. Data Communication Protocol of the CANopen

4.1 Communication Protocol of the CANopen

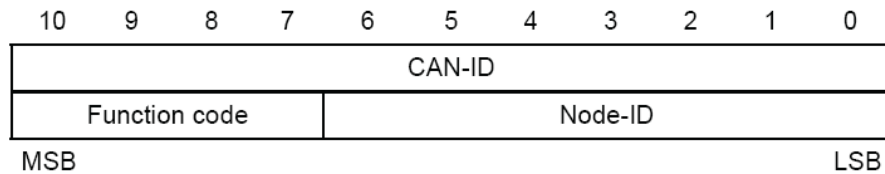
4.1.1 CAN-ID

Following is the description on the ID part of the CAN frame.

In the IS7 CANopen, only CAN2.0A (Standard) is supported.

As the CAN2.0A is implemented, the ID comprises 11Bits.

The figure below shows the configuration of the ID.



The table below presents the Broadcast Function code.

COB	Function code	resulting CAN-ID
NMT	0000 _b	0 (000 _h)
SYNC	0001 _b	128 (080 _h)
TIME	0010 _b	256 (100 _h)

The table below presents the function code for peer to peer.

COB	Function code	Resulting CAN-IDs
EMCY	0001 _b	129 (081 _h) – 255 (0FF _h)
PDO1 (tx)	0011 _b	385 (181 _h) – 511 (1FF _h)
PDO1 (rx)	0100 _b	513 (201 _h) – 639 (27F _h)
PDO2 (tx)	0101 _b	641 (281 _h) – 767 (2FF _h)
PDO2 (rx)	0110 _b	769 (301 _h) – 895 (37F _h)
PDO3 (tx)	0111 _b	897 (381 _h) – 1023 (3FF _h)
PDO3 (rx)	1000 _b	1025 (401 _h) – 1151 (47F _h)
PDO4 (tx)	1001 _b	1153 (481 _h) – 1279 (4FF _h)
PDO4 (rx)	1010 _b	1281 (501 _h) – 1407 (57F _h)
SDO (tx)	1011 _b	1409 (581 _h) – 1535 (5FF _h)
SDO (rx)	1100 _b	1537 (601 _h) – 1663 (67F _h)
NMT error control	1110 _b	1793 (701 _h) – 1919 (77F _h)

Since only CAN2.0A is used, the PDO also is available between 1–4.

Presently, the PDOs used in the CANopen Option are PDO1 (CiA402 Profile) and PDO3 (LS Profile).

4.1.2 SDO communication

Regardless of the connection of the CANopen with the master, this is the protocol for the client to read or write data on the server.

SDO Download means the client writing data on the server, and the SDO Upload is the client reading data from the server.

4.1.3 PDO communication

According to the protocol, the only the Index and SubIndex Data which are specified to the PDO are transmitted. Though the data type of the PDO can be set up by mapping, the IS7 prohibits setting by mapping.

PDO has two types which are Transmit-PDO (TPDO) and Receive-PDO (RPDO).

PDO is classified into the Producer and Consumer, which are different from the server and client in the SDO communication. The Producer can be a client or a server. The Producer of the TPDO is a server and the Producer of the RPDO is a client. This is because the PDO is classified in the perspective of the server. The Consumer is the recipient of the PDO created by Producer.

4.1.3.1 Transmission modes

Synchronous transmission: PDO is transmitted according to SYNC frame

Event-driven transmission: PDO is transmitted by an event.

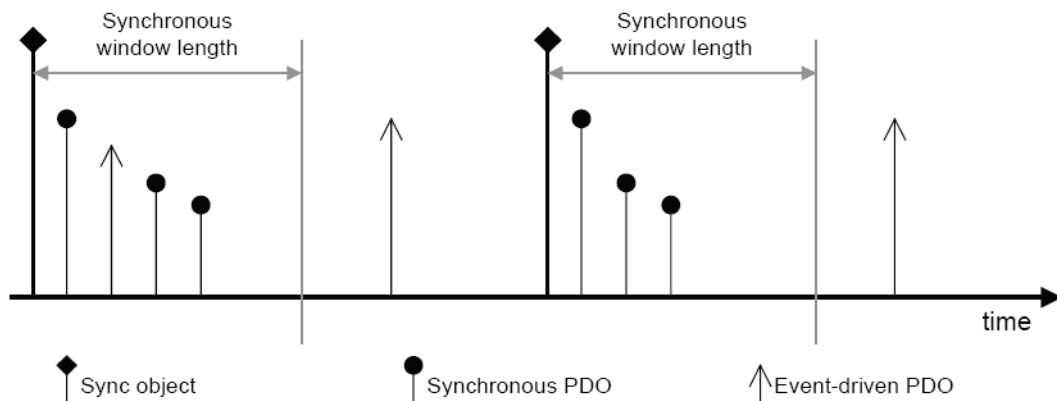


Figure 16: Synchronous and event-driven transmission

4.1.3.2 Triggering modes

There are 3 trigger modes available for the generation of the event for PDO transmission.

- **Event- and timer-driven**

When the preset event time is elapsed the PDO frame is transmitted automatically.

- **Remotely requested**

PDO frame is transmitted when the RTR frame requesting for PDO is received.

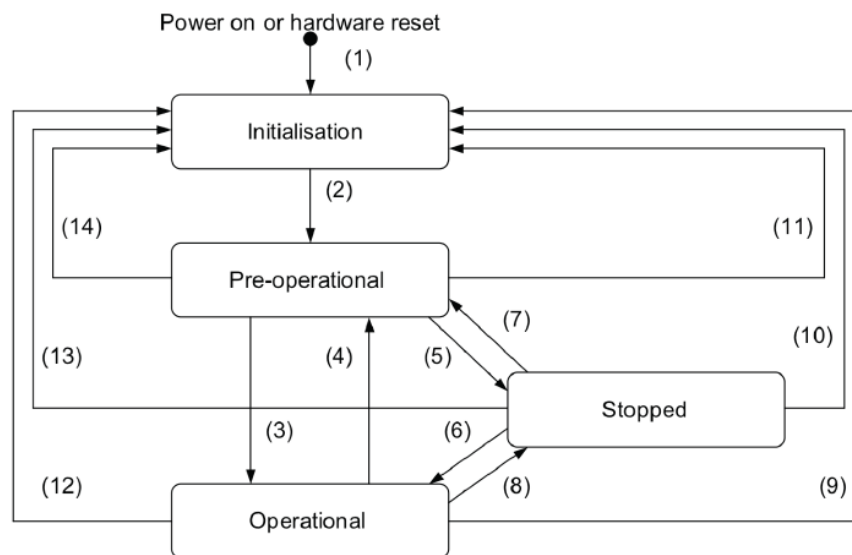
- **Synchronously triggered**

PDO frame is transmitted by the preset number of the SYNC frames.

4.2 NMT (Network Management) state machine

This command is used by the master to control the slave devices in the network.

The figure below shows the NMT State Diagram of a CANopen device.

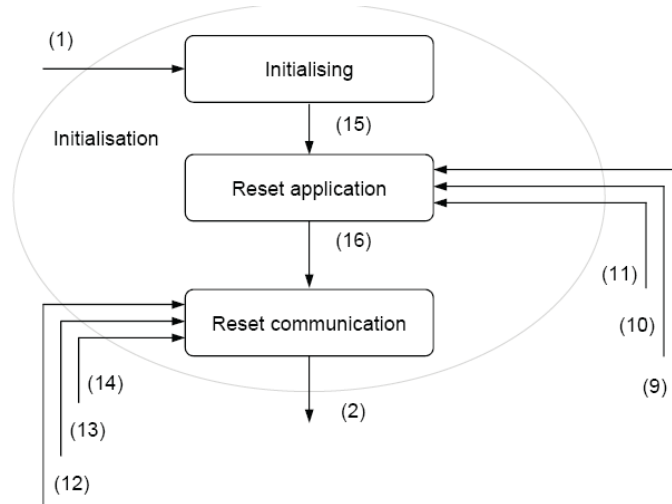


(1)	At Power on the NMT state initialisation is entered autonomously
(2)	NMT state Initialisation finished - enter NMT state Pre-operational automatically
(3)	NMT service start remote node indication or by local control
(4),(7)	NMT service enter pre-operational indication
(5),(8)	NMT service stop remote node indication
(6)	NMT service start remote node indication
(9),(10),(11)	NMT service reset node indication
(12),(13),(14)	NMT service reset communication indication

The above table presents the conditions for status transfer. The NMT Service means those converted by the NMT command frame.

4.2.1 NMT state initialization

The Initialization also is divided into 3 modes.



(1)	At power on the NMT state initialisation is entered autonomously
(2)	NMT state Initialisation finished - enter NMT state Pre-operational automatically
(12), (13), (14)	NMT service reset communication indication
(9), (10), (11)	NMT service reset node indication
(15)	NMT sub-state Initialization finished – NMT sub-state reset application is entered autonomously
(16)	NMT sub-state reset application is finished – NMT sub-state reset communication is entered autonomously

Initializing: the beginning status of the Option, which is the initialization stage after Power-On or H/W Reset.

Reset Application: NMT requested Node Reset. The initialization is conducted according to the profile.

Reset Communication: NMT requested Communication Reset, and notice the Master of boot-up via NMT frame. This state is transferred to Pre Operational automatically.

4.2.2 NMT state pre-operational

Before PDO communication, the PDO information is sent by the Master to the Slave via SDO, or necessary data is read. In this state, the PDO communication is being prepared via SDO.

4.2.3 NMT state operational

PDO communication is started by changing all the devices to Operation via the NMT frame. Of course, SDO communication is enabled too.

4.2.4 NMT state stopped

SDO and PDO communications are stopped due to a problem in the network. However the Node Guarding and Heartbeat communication are enabled.

4.2.5 The frames enabling communication by NMT status

	Pre-operational	Operational	Stopped
PDO	-	O	-
SDO	O	O	-
SYNC	O	O	-
TIME	O	O	-
EMCY	O	O	-
Node control and error control	O	O	O

* "O" mark indicates communication enabled.

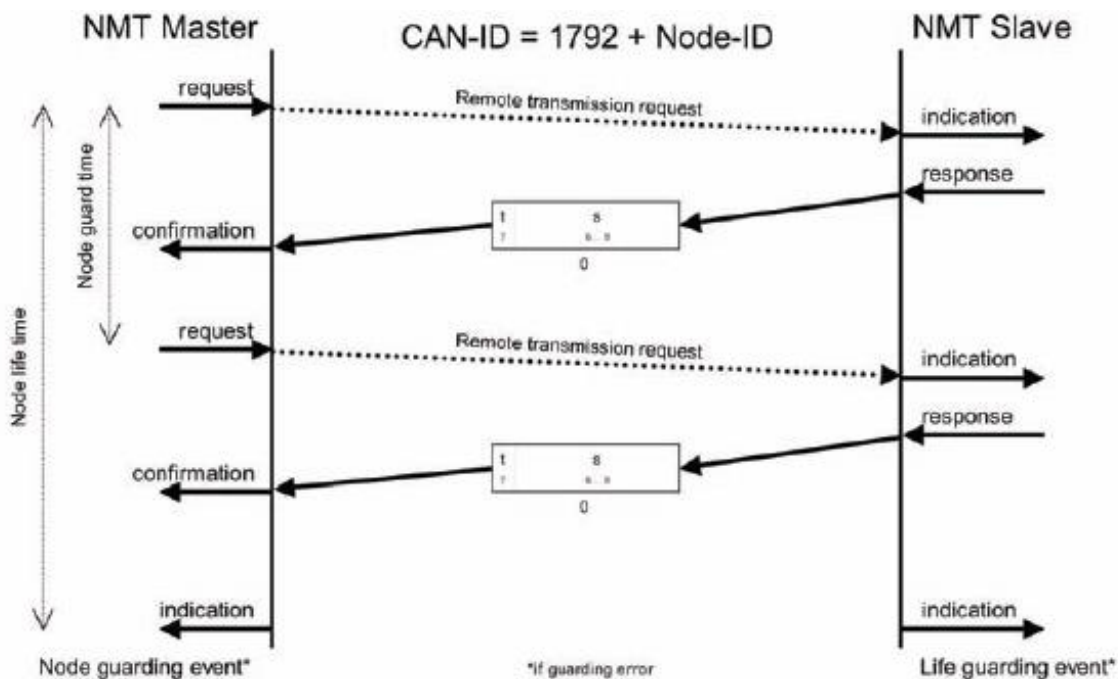
4.3 Error Control Protocols

These protocols are used to check normal operation of the device.

Two methods are available in the CANopen; Protocol node guarding and Protocol heartbeat.

4.3.1 Protocol node guarding

Master inquires the Slave for normal operation via the RTR Frame, and the Slave returns the current NMT State to the Master.



The NMT status of the Slave is indicated by the value of S;

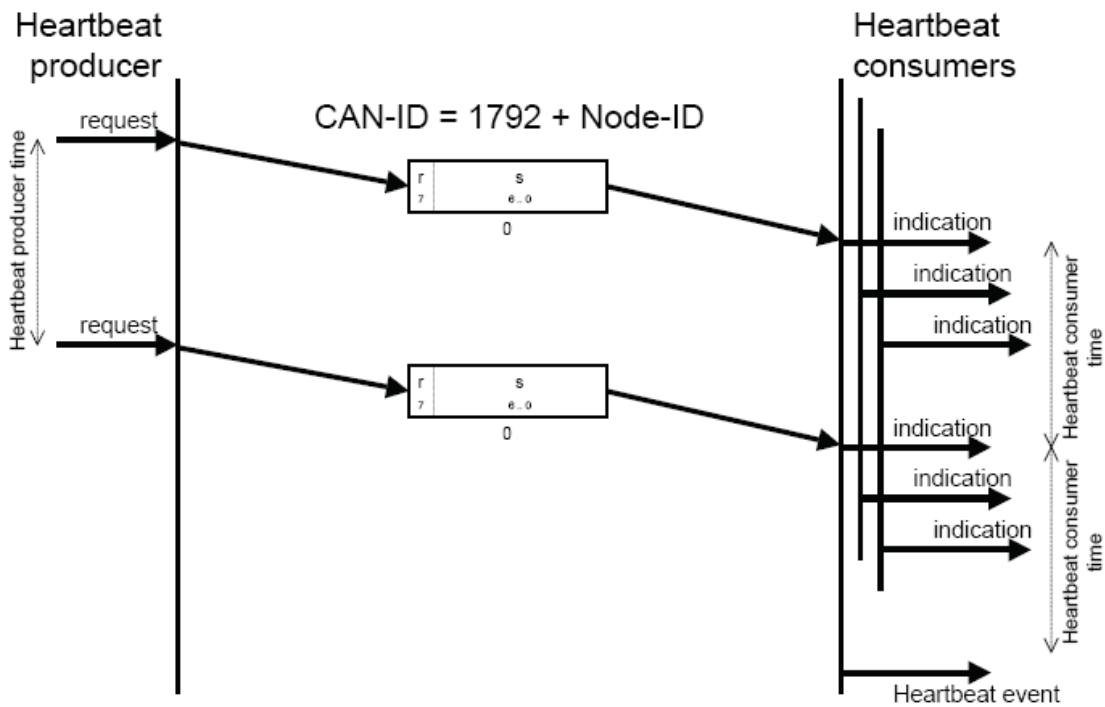
- 4: Stopped
- 5: Operational
- 127: Pre-operational

The 't' of the top bit is the Toggle Bit which toggles at every response of the Slave.

The Master sends the RTR Frame at every preset Node guard time. If the Master fails to send RTR Frame until the expiration of the Node life time, or the Slave fails to response to the Mater until the expiration of the Node life time, a Guard Error is generated. Then, the Guard Error Event set up in each Master and Slave is executed. In the case of iS7, the CANopen NMT State is changed to Pre-operational.

4.3.2 Protocol heartbeat

If the Error Control Protocol is set to Heartbeat, the MNT State information of itself is sent at the time intervals set up in the Heartbeat Producer. If the Heartbeat Producer fails to send the Heartbeat within the preset time, the Heartbeat consumer generates a Heartbeat event.



The value of S represents the MNT state of the Slave;

- . 4: Stopped
- . 5: Operational
- . 127:Pre-operational

The upper 'r' is the reservation bit which is always zero.

The IS7 CANopen informs the Consumer of the current MNT State at the time intervals set up with the Producer. Therefore, in general, the Master is the Consumer.

4.4 CANopen EDS File

This file contains the parameter data of the inverter, which is used to control the parameters of the SV-iS7 via the CANopen Manager software program. To do this, you need to install the EDS file for the iS7 provided by the LS ELECTRIC in your PC.

- The EDS file can be downloaded from the Webpage of LS ELECTRIC (www.lselectric.co.kr).
- EDS file name: LSIS_IS7_CANOPENxx.EDS

LSIS_IS7_CANOPENxx.EDS should be copied into the folder where the EDS file is stored in the Master Configuration program.

5. Detailed Specification of Communication Profile Specific Objects

5.1 Device Type

The SDO indicates the device type of the Option.

Index	0x1000
Data type	UNSIGNED32
Sub-index	0x00
Access	RO (Read Only)
Data	0x00010192

5.2 Error Register

The information on the error of the Option.

Index	0x1001	
Data type	UNSIGNED8	
Sub-index	0x00	
Access	RO	
Data	Bit	Information
	0	Generic error
	1	Current
	2	Voltage
	3	Temperature
	4	Communication error (overrun, error state)
	5	Device profile specific
	6	reserved (always 0)
	7	manufacturer-specific

5.3 Pre-defined Error Field

The information on the current Emergency.

Index	0x1003	
Data type	UNSIGNED32	
Object code	Object code	
Sub-index	0x00	
Description	Number of the occurred errors	
Access	RW (Read/ Write)	
Data	Read	Number of the current emergency errors
	Write	Enter "0" to rest all the emergencies

Sub-index	0x01
Description	Information on the last emergency
Access	RO
Data	The value of Error code (Refer to Error code table of 6.1.2.1)
Sub-index	0x02~0x08
Description	Information on the last emergency
Access	RO
Data	The value of Error code (Refer to Error code table of 6.1.2.1)

5.4 COB-ID SYNC Message

The SDO for reading and writing the information on the CAN ID of the device that sends the SYNC Message.

The Bit format is as follows;



The iS7 CANopen Option only receives and does not generate SYNC, and supports Standard ID only. Therefore, both the gen and frame must be 0.

Index	0x1005	
Data type	UNSIGNED32	
Sub-index	0x00	
Access	RW	
Data	Read	COB-ID of the current SYNC setting
	Write	Set up the COB-ID of SYNC

5.5 Manufacturer Device Name

Name information of the CANopen Option.

Index	0x1008
Data type	VISIBLE_STRING (String)
Sub-index	0x00
Access	CONST (Read only data. Unchangeable)
Data	IS7 CANopen

5.6 Manufacturer Hardware Version

Version data of the hardware of the Option.

Index	0x1009
Data type	VISIBLE_STRING (String)
Sub-index	0x00
Access	CONST (Read only data. Unchangeable)
Data	CANopen 1.00 (May differ by the hardware version of the Option)

5.7 Manufacturer Software Version

Version data of the software of the Option.

Index	0x100A
Data type	VISIBLE_STRING (String)
Sub-index	0x00
Access	CONST (Read only data. Unchangeable)
Data	Version 1.00 (May differ by the software version of the Option)

5.8 Guard Time

This SDO sets the guard time when using the Node Guarding Protocol of the Error Control Protocol.

Index	0x100C
Data type	UNSIGNED16
Sub-index	0x00
Access	RW
Data	Guard Time, unit: msec

5.9 Life Time Factor

This SDO sets the life time factor when using the Node Guarding Protocol of the Error Control Protocol.

Index	0x100D
Data type	UNSIGNED8
Sub-index	0x00
Access	RW
Data	This factor is for the calculation of the Node Life Time, and is zero when not using the Node Guarding Protocol.

5.10 Store Parameters

This SDO saves keypad data changed by communication when power turns to off.

Sub-Index 0x01, 0x02, and 0x03 are not supported. 0x04 only is supported.

Index	0x1010															
Data type	UNSIGNED32															
Sub-index	0x04															
Name	Save Inverter Parameters															
Access	RW															
Data	Read	0x0001 indicates that the data can be saved. 0x0000 indicates saving is not available due to inverter drive, etc.														
	Write	<table border="1"> <tr> <td style="text-align: center;">Signature</td> <td style="text-align: center;">MSB</td> <td colspan="2"></td> <td style="text-align: center;">LSB</td> </tr> <tr> <td style="text-align: center;">ISO8859/ character</td> <td style="text-align: center;">e</td> <td style="text-align: center;">v</td> <td style="text-align: center;">a</td> <td style="text-align: center;">s</td> </tr> <tr> <td style="text-align: center;">hex</td> <td style="text-align: center;">65_h</td> <td style="text-align: center;">76_h</td> <td style="text-align: center;">61_h</td> <td style="text-align: center;">73_h</td> </tr> </table> <p>The data in above table must be transmitted to save the keypad parameters in the ROM.</p>	Signature	MSB			LSB	ISO8859/ character	e	v	a	s	hex	65 _h	76 _h	61 _h
Signature	MSB			LSB												
ISO8859/ character	e	v	a	s												
hex	65 _h	76 _h	61 _h	73 _h												

5.11 COB-ID EMCY

This SDO sets the CAN-ID of the Emergency Frame. In the IS7 CANopen, setting is prohibited, only reading is allowed.

Index	0x1014
Data type	UNSIGNED32
Sub-index	0x00
Access	RW
Data	\$NODEID+0x80 (\$Node ID is the FBus ID currently set up in the Option.)

5.12 Producer Heartbeat Time

This SDO indicates the time at which the Heartbeat is transmitted.

Index	0x1017
Data type	UNSIGNED16
Sub-index	0x00
Access	RW
Data	Set up time in msec units.

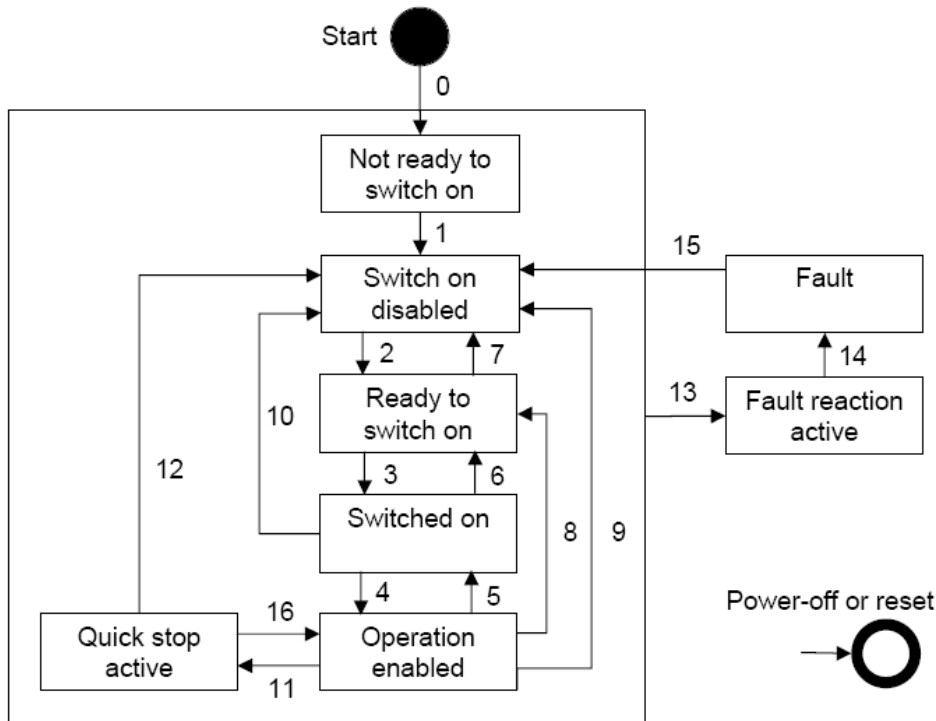
6. Profile

6.1 CiA 402 Drive and Motion Control Device Profile

Velocity Mode only is supported.

6.1.1 Finite state automation

This is the state of the Option used at CiA 402.



Not ready to Switch On: The hardware and Stack of CANopen are initialized in this state.

Switch on disable: Current Option state is not available for Switch On.

Ready to switch on: Ready to change to switch-on state anytime

Switch on: Ready for Operation enable. RN command can be issued at anytime.

Operation enabled: Motor is running

Quick stop active: Motor is to be or has been stopped.

The table below presents the action of the inverter according to status change.

Transition	Event	Action
0	Automatic change	Conduct self diagnosis and initialize parameters
1	Automatic change	CANopen communication enabled
2	Change to Operation Mode	None
3	On receiving Switch on command	None
4	On receiving Enable Operation command	Motor drive

Transition	Event	Action
5	On receiving Disable Operation command	The command to maintain current inverter status is not accepted. I.e., stop command is not accepted.
6	On receiving Shut Down command	If motor has been running, conduct Free run stop
7	On receiving Disable voltage command	None
8	On receiving Shut Down command	Conduct Free run stop
9	On receiving Disable voltage command	Conduct Free run stop
10	On receiving Disable voltage command or Quick Stop command	Conduct Free run stop
11	On receiving Quick Stop command	Reduce speed at the reducing time setup in the Quick Stop
12	On receiving Disable voltage command	Conduct Free run stop
13	When the inverter tripped	Conduct Trip sequence
14	Automatic change	Conduct Trip sequence
15	On receiving Reset command or Trip is released	Change to Switch on disable state
16	On receiving Enable operation command	Motor runs again

6.1.2 CiA 402 SDO

6.1.2.1 Error codes (Object: 0x603F)

Index: 0x603F

When the inverter is tripped, this SDO is used to identify the type of the trip.

The table below presents the Error code No. for response to the inverter trip.

Fault Code Number	Description
0x0000	None
0x1000	UNDEFINED
0x2220	Inverter OLT
0x2310	OverCurrent1
0x2330	Ground Trip
0x2340	OverCurrent2
0x3130	In Phase Open
0x3210	Over Voltage
0x3220	Low Voltage
0x4000	NTC Open

I/O POINT MAP

Fault Code Number	Description
0x4310	Over Heat
0x5000	HWDiag
0x5450	Fuse Open
0x6300	Para Write Trip
0x7001	Fan Trip
0x7011	OptionTrip1
0x7012	OptionTrip2
0x7013	OptionTrip3
0x7021	IO Board Trip
0x7022	XIO Trip
0x7120	No Motor Trip
0x7310	EncoderTrip
0x8401	Speed Dev Trip
0x8402	OverSpeed
0x9001	External Trip
0x9002	BX
0xFF01	Ethermal
0xFF03	Out Phase Open
0xFF04	Over Load
0xFF05	Under Load
0xFF06	Thermal Trip
0xFF07	Pre PID Fail
0xFF0A	Lost Command
0xFF0B	Lost Keypad

6.1.2.2 Control word (Object: 0x6040)

Index: 0x6040

The Bit composition below presents the bit command of the Control Word.


15	14	13	12	11	10	9	8	7	6	5	4	3	2	1	0
nu	nu	nu	nu	nu	r	nu	h	fr	rr	ur	er	eo	qs	ev	so

- so: Switch on
- ev: Enable Voltage
- qs: Quick stop
- eo: Enable operation
- er: Enable ramp

- ur: Unlock ramp
- rr: Reference ramp
- fr: Fault reset
- h: halt
- r: reserved
- nu: Not used

The bits between 4bit and 7bit are command bits which run in Operation Mode.

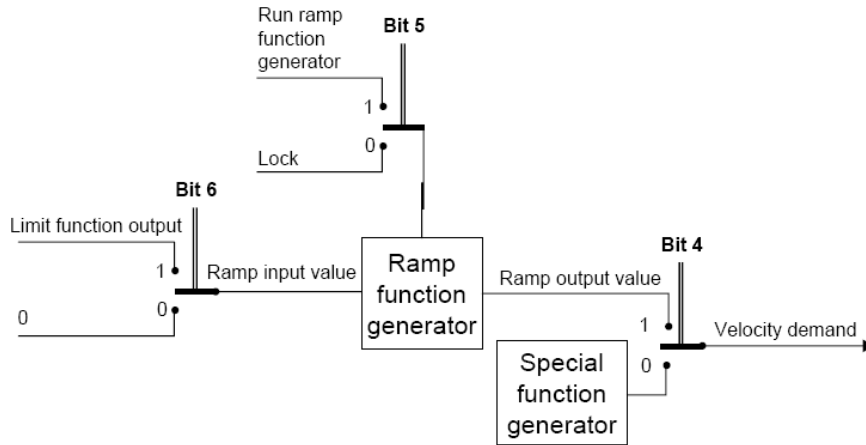
The table below presents the commanding method in the FSA state described in 5.1.1.

Command	Bits of the <i>controlword</i>					Transitions
	Bit 7	Bit 3	Bit 2	Bit 1	Bit 0	
Shutdown	0	X	1	1	0	2,6,8
Switch on	0	0	1	1	1	3
Switch on + enable operation	0	1	1	1	1	3 + 4 (NOTE)
Disable voltage	0	X	X	0	X	7,9,10,12
Quick stop	0	X	0	1	X	7,10,11
Disable operation	0	0	1	1	1	5
Enable operation	0	1	1	1	1	4,16
Fault reset		X	X	X	X	15
NOTE Automatic transition to Enable operation state after executing SWITCHED ON state functionality.						

The figure in the Transitions is the numbers of the inverter action table described in 5.1.1.

Followings are the command bits used in Enable Operation.

Bit	Value	Description
4 (Enable Ramp)	0	Maintain previous operational state
	1	Operate inverter by command bit
5 (Unlock Ramp)	0	Holds output frequency
	1	Drive up to the target frequency
6 (Reference Ramp)	0	Enter zero in the target frequency
	1	Enter setting value in the target frequency
8 (Halt)	X	Not used



6.1.2.3 Statusword (Object: 0x6041)

Index: 0x6041

The bit composition below presents the command by bits of Control Word.

15	14	13	12	11	10	9	8	7	6	5	4	3	2	1	0
nu	nu	nu	Nu	ila	tr	rm	nu	w	sod	qs	ve	f	oe	so	rtso

- rtso: ready to switch on
- so: switched on
- oe: operation enabled
- f: fault(Trip)
- ve: voltage enabled
- qs: quick stop
- sod: switch on disabled
- w: warning
- rm: remote
- tr: target reached
- ila: internal limit active
- nu: not used

The bit values according to the state of FAS.

Statusword	PDS FSA state
xxxx xxxx x0xx 0000 _b	Not ready to switch on
xxxx xxxx x1xx 0000 _b	Switch on disabled
xxxx xxxx x01x 0001 _b	Ready to switch on
xxxx xxxx x01x 0011 _b	Switched on
xxxx xxxx x01x 0111 _b	Operation enabled
xxxx xxxx x00x 0111 _b	Quick stop active
xxxx xxxx x0xx 1111 _b	Fault reaction active
xxxx xxxx x0xx 1000 _b	Fault

6.1.2.4 vI target velocity (Object: 0x6042)

Index: 0x6042

Function: Target velocity

Unit: rpm

Basic format: 0

Setting range: -30000 ~ 30000

(- value represents inverse run, + represents normal run, the range varies by the parameter setting.)

Object description

Attribute	Value
Index	6042 _n
Name	vI target velocity
Object Code	Variable
Data Type	Integer16
Category	Conditional: mandatory if vI is supported

Entry description

Attribute	Value
Sub-Index	00 _n
Access	rw
PDO Mapping	See /CiA402-3/
Value Range	Integer16
Default Value	0000 _n

6.1.2.5 vI velocity demand (Object: 0x6043)

Index: 0x6042

Function: Current target velocity

Unit: rpm

Basic format: 0

Setting range: -30000 ~ 30000

(- value represents inverse run, + represents normal run, the range varies by the parameter setting.)

Object description

Attribute	Value
Index	6043 _h
Name	v/ velocity demand
Object Code	Variable
Data Type	Integer16
Category	Conditional: mandatory if v/ is supported

Entry description

Attribute	Value
Sub-Index	00 _h
Access	ro
PDO Mapping	See /CiA402-3/
Value Range	Integer16
Default Value	No

6.1.2.6 v/ velocity actual value (Object: 0x6044)

Index: 0x6044

Function: Current run velocity

Unit: rpm

Basic format: 0

Setting range: -30000 ~ 30000

(- value represents inverse run, + represents normal run, the range varies by the parameter setting.)

Object description

Attribute	Value
Index	6044 _h
Name	v/ velocity actual value
Object Code	Variable
Data Type	Integer16
Category	Conditional: mandatory, if v/ is supported

Entry description

Attribute	Value
Sub-Index	00 _h
Access	ro
PDO Mapping	See /CiA402-3/
Value Range	Integer16
Default Value	No

6.1.2.7 v/ velocity min max amount (Object: 0x6046)

This object is supported in the CiA402 Profile, but not implemented in the IS7 because it may make users confused according to the function of the iS7. The parameters of the same functionalities are ADV 24, ADV 25, and ADV26.

6.1.2.8 v/ velocity acceleration (Object: 0x6048)

Index: 0x6050

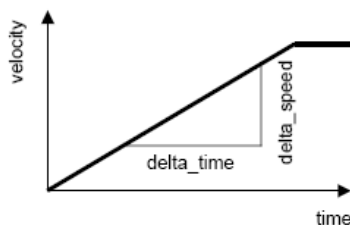
Function: Object which determines an acceleration time

Unit: sec

Basic format: 0.0

Setting range: 0.0 ~ 600.0 (Setting range differs from parameter setting of inverter.)

$$v/ \text{ velocity acceleration} = \frac{\text{delta speed}}{\text{delta time}}$$



Transfer characteristic of the velocity acceleration

As shown in the figure, the acceleration time is determined using the Delta speed and Delta time.

For the safety of the inverter, the delta_speed was fixed to Max Speed, and the setting parameter was removed.

Object description

Attribute	Value
Index	6048 _n
Name	v/ velocity acceleration
Object Code	Record
Data Type	v/ velocity acceleration deceleration
Category	Conditional: Mandatory of v/ is supported

Entry description

Sub-Index	02 _n
Description	Delta time
Entry Category	Mandatory
Access	rw
PDO Mapping	See /CiA402-3/
Value Range	Unsigned16
Default Value	Manufacturer-specific

6.1.2.9 v/ velocity deceleration (Object: 0x6049)

Index: 0x6049

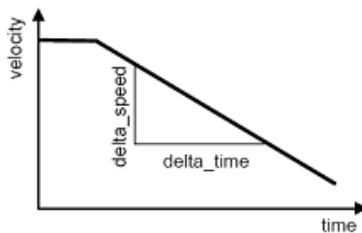
Function: Object which determines a deceleration time

Unit: sec

Basic format: 0.0

Setting range: 0.0 ~ 600.0 (Setting range differs from parameter setting of inverter)

$$v/ \text{ velocity deceleration} = \frac{\text{delta speed}}{\text{delta time}}$$



Transfer characteristic of the velocity deceleration

As shown in the figure, the deceleration time is determined using the Delta speed and Delta time.

For the safety of the inverter, the delta_speed was fixed to Max speed, and the setting parameter was removed.

Object description

Attribute	Value
Index	6049 _h
Name	v/ velocity deceleration
Object Code	Record
Data Type	v/ velocity acceleration deceleration
Category	Conditional: Mandatory of v/ is supported

Entry description

Sub-Index	02 _h
Description	Delta time
Entry Category	Mandatory
Access	rw
PDO Mapping	See /CiA402-3/
Value Range	Unsigned16
Default Value	Manufacturer-specific

6.1.2.10 vI velocity Quick Stop (Object: 0x604A)

Index: 0x604A

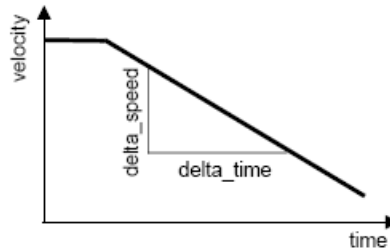
Function: Object which determines Quick Stop time

Unit: sec

Basic format: 0.0

Setting range: 0.0 ~ 600.0 (Setting range differs from parameter setting of inverter.)

$$\text{velocity quick stop} = \frac{\text{delta speed}}{\text{delta time}}$$



Transfer characteristic of the quick stop deceleration

As shown in the figure, the deceleration time is determined using the Delta speed and Delta time. For the safety of the inverter, the delta_speed was fixed to Max speed, and the setting parameter was removed.

Object description

Attribute	Value
Index	6049 _h
Name	vI velocity deceleration
Object Code	Record
Data Type	vI velocity acceleration deceleration
Category	Conditional: Mandatory of vI is supported

Entry description

Sub-Index	02 _n
Description	Delta time
Entry Category	Mandatory
Access	rw
PDO Mapping	See /CiA402-3/
Value Range	Unsigned16
Default Value	Manufacturer-specific

Object description

Attribute	Value
Index	604A _n
Name	v/ velocity quick stop
Object Code	Record
Data Type	v/ velocity acceleration deceleration
Category	Conditional: Mandatory of v/ is supported

Entry description

Sub-Index	02 _n
Description	Delta time
Entry Category	Mandatory
Access	rw
PDO Mapping	See /CiA402-3/
Value Range	Unsigned16
Default Value	Manufacturer-specific

6.1.3 SDO for IS7

6.1.3.1 SDO address in common area

- Inverter monitoring area

These are the parameters in the read-only common area between the communication address; 0h300 ~ 0h37F. In the CANopen, the Index is 0x4000, and the Sub Index is the value of the communication address deducted with 0h300 and added with 1.

E.g.) To read the value in the communication address 0h0310, the data is in Index: 0x4000 and Sub Index: 0x11.

- Inverter control area

These are the parameters in the control-only common area between the communication address: 0h380 ~ 0h3DF.

In the CANopen, Index is 0x4001 and Sub Index is the last 2 digits of the communication address added with 1.

E.g.) To read the value in the communication address 0h0389, the data is in Index: 0x4001 and Sub Index: 0x0A.

- Inverter memory control area

These are the parameters in the memory control common area between the communication address: 0h3E0 ~ 0h3FF.

In the CANopen, Index is 0x4002 and Sub Index is the communication address deducted with 0h3E0 and added with 1.

E.g.) To read the value in the communication address 0h03E1, the data is in Index: 0x4002 and Sub Index: 0x02.

Note) Before setting the memory control area value, check that the preset value is zero. If the previous value is not zero, then set the value to zero and then reset it to the desired value for appropriate operation of the parameter function. If the preset value was not zero, and the new setting value also is not zero, the parameter does not function.

E.g.) In the 0h03E0 (Index:0x4002 SubIndex 0x01) parameter setting, if the previous value is 1:Yes, first, change it to 0:No, then set it to 1:Yes to save the inverter parameter settings.

6.1.3.2 SDO address in the keypad parameter area

The Keypad parameters are indexed by group. The SubIndex is the code number.

The table below presents the index values by Group.

Index	Area
0x4010	DRV Group
0x4011	BAS Group
0x4012	ADV Group
0x4013	CON Group
0x4014	IN Group
0x4015	OUT Group
0x4016	COM Group
0x4017	APP Group
0x4018	APO Group
0x4019	PRT Group
0x401A	M2 Group

E.g.) To obtain the value of the I1 Monitor[mA] which is the Code 20 parameter in Group, read the values in the Index 0x4014 and SubIndex 0x14.

6.2 PDO

Of the CiA 402 Drive and Motion Control, implemented for the PDO for the frequency converter.

6.2.1 RPDO

The RPDO of the CiA 402 Profile are as follows;

Number of RPDO	Support	Description
1	Mandatory	Controls PDS FSA and Target velocity(vl)
2	Optional	Controls PDS FSA and Target velocity(vl), and target torque(tq)
3	Optional	Manufacture Specification

IS7 CANopen supports RPDO1 and RPDO3 only.

The settings are for the receiving methods of the RPDOs.

The index of the communication parameter object of the RPDO1 is 0x1400.

The index of the communication parameter object of the RPDO3 is 0x1402.

The Sub Index parameters in the object are the same.

Sub Index	Property	Description
0x01	Function	COB-ID (The unique CAN ID value of PDO)
	Access	RW
	Initial value	0x0200 + Node ID (RPDO1), 0x0400 + Node ID (RPDO3)
0x02	Function	Transmission Type
	Access	RW
	Initial value	255

Trans Mode according to the Transmission Type value:

0: at the occurrence of SYNC, the master creates RPDO, which is transmitted only when the data has been changed from the previous value.

1~240: receiving SYNC for preset frequency, the RPDO is transmitted once.

252: not supported.

253: Not supported.

254: Manufacturer defined (varies by Master Type.)

255: transmits RPDO by Event Trigger.

6.2.2 RPDO mapping

Since IS7 CANopen Map is fixed, user cannot edit the map.

6.2.2.1 RPDO1 mapping

The RPDO set up in the CiA 402 Profile.

Index: 0x1600

The table below presents the RPDO1 Map.

Sub index	Setting value	Parameter Index	Parameter Sub Index	The name of parameter
0x01	0x60400010	0x6040	-	Control word
0x02	0x60420010	0x6042	-	vl target velocity

6.2.2.2 RPDO3 mapping

The RPDO set up in the LS Drive Profile.

Index: 0x1602

The table below presents the RPDO3 Map.

Sub index	Setting value	Parameter Index	Parameter Sub Index	The name of parameter
0x01	0x30100010	0x3010	-	Para Control - 1 Data Value
0x02	0x30110010	0x3011	-	Para Control - 2 Data Value
0x03	0x30120010	0x3012	-	Para Control - 3 Data Value
0x04	0x30130010	0x3013	-	Para Control - 4 Data Value

Para Control –x Data Value is the value to be written in the parameter of the communication address set up in COM-51~54.

6.2.3 TPDO

The TPDO of the CiA 402 Profile are as follows.

Number of RPDO	Support	Description
1	Mandatory	Controls PDS FSA and Target velocity(vl)
2	Optional	Controls PDS FSA and Target velocity(vl), and target torque(tq)
3	Optional	Manufacture specification

IS7 CANopen supports only TPDO1 and TPDO3.

The settings are for the receiving methods of the TPDOs.

The index of the communication parameter object of the TPDO1 is 0x1400.

The index of the communication parameter object of the TPDO3 is 0x1402.

The Sub Index parameters in the object are the same.

Sub Index	Property	Description
0x01	Function	COB-ID (Unique CAN ID value of PDO)
	Access	RW
	Initial value	0x0180 + Node ID (TPDO1), 0x0380 + Node ID (TPDO3)
0x02	Function	Transmission Type
	Access	RW
	Initial value	255
0x03	Function	Inhibit Time
	Access	RW
	Initial value	0
0x05	Function	Event Timer
	Access	RW
	Initial value	0

Trans Mode according to the Transmission Type value:

0: at the occurrence of SYNC, the CANopen Option creates TPDO, which is transmitted only when the data has been changed from the previous value.

1~240: receiving SYNC for preset frequency, the TPDO is transmitted once.

252: at every occurrence of SYNC, data is updated to PDO, and TPDO is transmitted when the master transmits a remote frame requesting TPDO.

253: receiving the remote frame from the master requesting the TPDO, data is updated and TPDO is transmitted.

254: Manufacturer defined (in the IS7 CANopen, TPDO is transmitted at every Event Time.)

255: transmits TPDO by Event Trigger. If the data is not changes within the Event Time, TPDO is transmitted. If the data changes within the Event Time, the TPDO is transmitted after Inhibit Time. TPDO is not transmitted until the Inhibit Time has been passed.

6.2.4 TPDO mapping

The map of the IS7 CANopen is fixed; therefore, user cannot edit the map.

6.2.4.1 TPDO1 mapping

The PDO set up in the CiA 402 Profile.

Index: 0x1A00

The table below presents the PDO1 Map.

Sub index	Setting value	Parameter Index	Parameter Sub Index	The name of parameter
0x01	0x60410010	0x6041	-	Statusword
0x02	0x60440010	0x6044	-	vl velocity actual value

6.2.4.2 TPDO3 mapping

The PDO set up in the LS Drive Profile.

Index: 0x1A02

The table below presents the PDO3 Map.

Sub index	Setting value	Parameter Index	Parameter Sub Index	The name of parameter
0x01	0x30000010	0x3000	-	Para Status - 1 Data Value
0x02	0x30010010	0x3001	-	Para Status - 2 Data Value
0x03	0x30020010	0x3002	-	Para Status - 3 Data Value
0x04	0x30030010	0x3003	-	Para Status - 4 Data Value

Para Status -x Data Value is to read the parameter of the communication address set up by COM-31~34.

7. Inverter Parameter

7.1 Related Parameter List

Code	Description	Keypad Display	Setting Range	Factory Default	Type/Units
CNF-30	Type of the option board in the inverter	Option-1 Type	-	"CANopen"	
DRV-06	Set up to receive the operating command from the Option	Cmd Source	"FieldBus"	"FX/RX-1"	
DRV-07	Set up to receive the frequency command from the Option	Freq Source	"FieldBus"	"Keypad-1"	
DRV-08	Set up to receive the talk command from the Option	Trq Source	"FieldBus"	"Keypad-1"	
COM-06	Option board version	FBus S/W Ver	-	-	X.XX
COM-07	Station No. setting	FBus ID	1~127	1	X
COM-09	LED status of CANopen	FBus LED	-	-	-
COM-10	CANopen speed	Opt Parameter1	0~7	0	X
COM-11	Select CANopen Profile	Opt Parameter2	0-1	0	X
COM-31	Keypad Addr of the TPDO Data to be read from CANopen Master	Para Status - 1	0x0000-0xFFFF	0x000A	0xXXXX Hex
COM-32	Keypad Addr of the TPDO Data to be read from CANopen Master	Para Status - 2	0x0000-0xFFFF	0x000D	0xXXXX Hex
COM-33	Keypad Addr of the TPDO Data to be read from CANopen Master	Para Status - 3	0x0000-0xFFFF	0x000F	0xXXXX Hex
COM-34	Keypad Addr of the TPDO Data to be read from CANopen Master	Para Status - 4	0x0000-0xFFFF	0x0000	0xXXXX Hex
COM-51	Keypad Addr of the RPDO Data to be read from CANopen Master	Para Control -1	0x0000-0xFFFF	0x0005	0xXXXX Hex
COM-52	Keypad Addr of the RPDO Data to be read from CANopen Master	Para Control -2	0x0000-0xFFFF	0x0006	0xXXXX Hex

Code	Description	Keypad Display	Setting Range	Factory Default	Type/Units
COM-53	Keypad Addr of the RPDO Data to be read from CANopen Master	Para Control -3	0x0000-0xFFFF	0x0000	0xXXXX Hex
COM-54	Keypad Addr of the RPDO Data to be read from CANopen Master	Para Control -4	0x0000-0xFFFF	0x0000	0xXXXX Hex
COM-94	Reflect parameter on Option	Comm Update	"No" "Yes"	"No"	-
PRT-12	Set up inverter operation in the event of Lost Command	Lost Cmd Mode	"None" "Free-Run" "Dec" "Hold Input" "Hold Output" "Lost Preset"	"None"	-
PRT-13	Set up the time for the Lost Command	Lost Cmd Time	0.1~120.0	1.0	0.0 sec
PRT-14	Set up the speed of Lost Preset	Lost Preset F	0.00	0	Hz/Rpm

7.2 Description on the Basic Field Bus Parameters

7.2.1 COM 07 FBus ID

The allowable setting range in the inverter is 0~127. However, 0 is not used as a station No. in CANopen. If set to 0, the ERR LED will blink in the CANopen Option. (See Section 3.2)

7.2.2 COM 09 FBus LED

These parameters control the LEDs on the CANopen board.

0Bit: CPU LED

1Bit: ERR LED

2Bit: NODE LED

3Bit: BUS LED

The example of COM-09 LED status)



BUS LED(Green)	NODE LED(Green)	ERR LED(Red)	CPU LED(Green)
OFF	ON	ON	ON

7.2.3 COM 94 Comm Update

Press Yes to reflect the values set up with keypad on the CANopen Option.

7.3 Description on the Opt Parameter

7.3.1 COM 10 Opt Parameter1

These parameters control the communication speed of the CANopen.

Setting range: 0~7

0: 1Mbps

1: 800Kbps

2: 500Kbps

3: 250Kbps

4: 125Kbps

5: 100Kbps

6: 50Kbps

7: 20Kbps

Default value is 0: 1Mbps.

7.3.2 COM 11 Opt Parameter2

These parameters select Profile.

Setting range: 0~1

0: CiA 402 Drive and Motion Control Velocity Mode (Frequency Converter PDO1)

1: LS Device Profile (PDO3)

Default value is 0: CiA 402 Profile.

7.4 Parameter Setting for the Periodic Communication

7.4.1 COM 31~34 Para Status

This can be set up only when the LS Device Profile is selected in the COM11.

4 parameter addresses are designated and the parameter values are transmitted to the Master through TPDO3.

If CiA 402 Velocity Mode is selected, this status is hidden and setting is prohibited.

7.4.2 COM 51~54 Para Control

This can be set up only when the LS Device Profile is selected in the COM11.

4 parameter addresses are designated and the parameter values transmitted to the Master through RPDO3 is used. If CiA 402 Velocity Mode is selected, this status is hidden and setting is prohibited.

7.5 Parameter setting for the Lost Command

According to the decision criteria of the Lost Command of the IS7 CANopen, it judges that the Master and Slave are connected when the NMT status of the CANopen is Operation, and it does not generate Lost Command. That is, when the NMT State different from Operation is maintained for longer than the time set up in the PR-13, the inverter turns to Lost Command state. However, the Lost Command can be generated only when one or more of the frequency command or operation command is set to Fieldbus.

7.5.1 PRT-12 Lost Cmd Mode

None: no action is taken even when the Inverter turns to Lost Command state.

Free-Run: in Lost Command state, the motor turns to Free Run stop and Lost Command Trip is triggered.

Dec: in Lost Command state, the motor turns to trip deceleration stop, and Lost Command Trip is triggered.

Hold Input: the motor runs at the last speed command, and Lost Command Warning is issued.

Hold Output: the motor runs at the current speed, and Lost Command Warning is issued.

Lost Preset: the motor runs at the speed set up in the PRT-14, and Lost Command Warning is issued.

7.5.2 PRT-13 Lost Cmd Time

While the CANopen is in communication, if the MNT State different from Operation is maintained for the time longer than the time set up in the PRT-13, the Inverter turns to Lost Command state.

7.5.3 PRT-14 Lost Preset F

If Lost Preset is set up in the Lost Cmd Mode of the PRT-12, and if the Inverter turns to Lost command state, the inverter drives the motor at the speed set up in the PRT-14.

Warranty

Product Name	LS ELECTRIC Communication Option Card	Installation Date	
Model Name	SV-iS7 CANopen Communication Card	Warranty Period	
Customer	Name		
	Address		
	Tel.		
Sales Offices	Name		
	Address		
	Tel.		

Note

This product has been manufactured through the strict QC control and inspection of LS ELECTRIC. Warranty period is 12 months after installation or 18 months after manufactured when the installation date unidentified. However, the guarantee term may vary on the sales term.

- In-warranty service information
 - ▶ If the defective part has been identified under normal and proper use within the guarantee term, contact your local authorized LS distributor or LS service center.
- Out-of-warranty service information
 - ▶ The guarantee will not apply in the following cases.
 - ▶ Troubles are attributable to a user’s intentional negligence or carelessness.
 - ▶ Damage was caused by abnormal voltage and peripheral devices’ malfunction (failure).
 - ▶ Damage was caused by natural disasters (earthquake, fire, flooding, lightning and etc.).
 - ▶ When LS nameplate is not attached.

제품을 사용하기 전에

먼저 저희 CANopen 옵션보드를 사용하여 주셔서 감사합니다.

안전상의 주의사항

- 안전상의 주의사항은 사고나 위험을 사전에 예방하여 제품을 안전하고 올바르게 사용하기 위한 것이므로 반드시 지켜 주십시오.
- 주의사항은 ‘경고’와 ‘주의’의 두 가지로 구분되어 있으며 ‘경고’와 ‘주의’의 의미는 다음과 같습니다.



경 고

지시사항을 위반할 때 심각한 상해나 사망이 발생할 가능성이 있는 경우



주 의

지시사항을 위반할 때 경미한 상해나 제품손상이 발생할 가능성이 있는 경우

- 제품과 사용설명서에 표시된 그림기호의 의미는 다음과 같습니다.



는 위험이 발생할 우려가 있으므로 주의하라는 기호입니다.



는 감전의 가능성이 있으므로 주의하라는 기호입니다.

- 사용설명서를 읽고 난 후 사용하는 사람이 언제든지 볼 수 있는 장소에 보관 하십시오.
- CANopen 옵션보드의 기능을 충분히하고 안전하게 사용하기 위하여 이 사용 설명서를 잘 읽어 보십시오.

주 의

- 옵션보드의 CMOS 소자들의 취급에 주의하십시오.
정전기에 의한 고장의 원인이 됩니다.
- 통신 신호선 등의 변경 접속은 인버터 전원을 내린 상태에서 하십시오.
통신불량 및 고장의 원인이 됩니다.
- 인버터 본체와 옵션보드 커넥터가 정확히 일치하게 접속되도록 하십시오.
통신불량 및 고장의 원인이 됩니다.
- 파라미터를 설정할 때는 파라미터 unit 을 확인하시기 바랍니다.
통신불량의 원인이 됩니다.

목 차

1. 소개	5
1.1 CANopen이란?	5
1.2 CANopen 옵션 보드를 사용하면?	5
1.3 제품 구성품	5
2. SV-iS7 CANopen 통신 옵션	5
2.1 CANopen 통신 카드 일반 규격	5
2.2 옵션 외관	6
2.3 체결	6
2.4 Baud Rate에 따른 최대 통신거리	7
3. 옵션 상태 진단 및 LED에 대한 정의	7
3.1 LED에 대한 정의	7
3.2 LED 상태에 따른 옵션 상태 진단	8
4. CANopen의 Data 통신 규칙	10
4.1 CANopen의 통신 규칙	10
4.1.1 CAN-ID	10
4.1.2 SDO 통신	12
4.1.3 PDO 통신	12
4.1.3.1 Transmission Modes	12
4.1.3.2 Triggering modes	12
4.2 NMT(Network Management) state machine	13
4.2.1 NMT state Initialization	13
4.2.2 NMT state Pre-operational	14
4.2.3 NMT state Operational	14
4.2.4 NMT state Stopped	14
4.2.5 NMT 상태에 따른 통신 가능 프레임	14
4.3 Error Control Protocols	15
4.3.1 Protocol node guarding	15
4.3.2 Protocol heartbeat	16
4.4 CANopen EDS File	16
5. Detailed specification of communication profile specific objects	17
5.1 Device type	17
5.2 Error register	17

5.3	Pre-defined error field.....	17
5.4	COB-ID SYNC message	18
5.5	Manufacturer device name	18
5.6	Manufacturer hardware version	19
5.7	Manufacturer software version.....	19
5.8	Guard time.....	19
5.9	Life time factor	19
5.10	Store parameters	19
5.11	COB-ID EMCY.....	20
5.12	Producer heartbeat time	20
6.	Profile.....	20
6.1	CiA 402 Drive and Motion Control device profile	20
6.1.1	Finite State Automation.....	21
6.1.2	CiA 402 SDO	22
6.1.2.1	Error codes (Object : 0x603F)	22
6.1.2.2	Control word (Object : 0x6040).....	23
6.1.2.3	Statusword(Object : 0x6041)	25
6.1.2.4	vl target velocity(Object : 0x6042)	26
6.1.2.5	vl velocity demand (Object : 0x6043).....	26
6.1.2.6	vl velocity actual value (Object : 0x6044)	27
6.1.2.7	vl velocity min max amount(Object :0x6046).....	28
6.1.2.8	vl velocity Acceleration(Object :0x6048).....	28
6.1.2.9	vl velocity deceleration(Object :0x6049).....	29
6.1.2.10	vl velocity Quick Stop (Object :0x604A)	30
6.1.3	IS7용 SDO	31
6.1.3.1	공통영역 SDO 주소	31
6.1.3.2	Keypad 파라미터영역의 SDO 주소	32
6.2	PDO	32
6.2.1	RPDO	32
6.2.2	RPDO MAPPING	33
6.2.2.1	RPDO1 Mapping	33
6.2.2.2	RPDO3 Mapping	33
6.2.3	TPDO	33
6.2.4	TPDO MAPPING.....	34
6.2.4.1	TPDO1 Mapping	35
6.2.4.2	TPDO3 Mapping	35

I/O POINT MAP

7.	인버터 파라미터	35
7.1	관련 파라미터 리스트	35
7.2	기본 Field Bus Parameter 설명	36
7.2.1	COM 07 FBus ID	36
7.2.2	COM 09 FBus LED	36
7.2.3	COM 94 Comm Update	37
7.3	Opt Parameter 설명	37
7.3.1	COM 10 Opt Parameter1	37
7.3.2	COM 11 Opt Parameter2	37
7.4	주기 통신용 파라미터 설정	38
7.4.1	COM 31~34 Para Status	38
7.4.2	COM 51~54 Para Control	38
7.5	Lost Command 파라미터 설정	38
7.5.1	PRT-12 Lost Cmd Mode	38
7.5.2	PRT-13 Lost Cmd Time	38
7.5.3	PRT-14 Lost Preset F	38

1. 소개

1.1 CANopen 이란?

CANopen은 CiA(CAN in Automation)협회에서 규정한 CAN(Controller Area Network)을 이용한 Fieldbus입니다. 현재 사용되는 분야에는 기계제어, 병원기기, 자동차, 건물자동화 등이 있습니다.

1.2 CANopen 옵션 보드를 사용하면?

인버터의 제어 및 모니터링이 PLC의 시퀀스 프로그램 또는 임의의 Master Module에 의해 제어가 가능해 집니다. 하나의 통신 선으로 다수의 인버터가 접속 가능하여 설치 비용을 줄일 수 있습니다. 또한 배선이 간단하므로 설치 시간을 절감할 수 있고 유지 보수가 쉬워 집니다.

인버터의 제어를 위해서 PLC의 각종 주변장치를 이용할 수 있고, PC등 각종 시스템과 연계 동작이 가능하여 공장 자동화가 용이합니다.

1.3 제품 구성품

이 옵션보드 제품은 아래와 같이 구성되어 있습니다.

- CANopen 통신 카드 : 1대
- CANopen 매뉴얼 : 1부
- 고정용 Screw (M3) : 1개
- 종단저항(120Ω, 1/2W) : 1개

2. SV-iS7 CANopen 통신 옵션

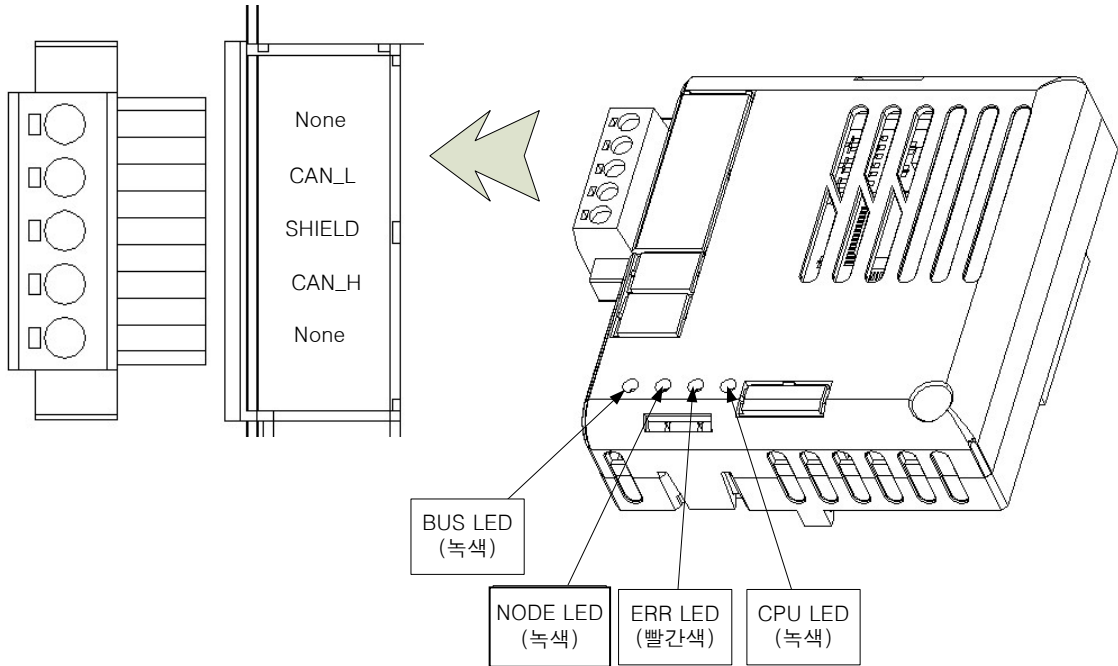
2.1 CANopen 통신 카드 일반 규격

항목		설명
전원공급	CANopen 통신 카드 전원	인버터에서 공급 받음
Network Topology		Bus Topology
통신 BaudRate		20kbps, 50kbps, 100kbps, 125kbps, 250kbps, 500kbps, 800kbps, 1Mkbps
최대 Node 수		64개 (Master 포함) Master 1대가 Network에 연결 되었을 경우 인버터 최대 연결 Node 수는 63 (64-1)대 입니다.
Device Type		AC Drive
지원 통신 종류		PDO, SDO, Sync, NMT
종단 저항		120 ohm 1/2W Lead Type
사용 가능한 PDO		PDO1 (CiA 402 Drive and Motion Control device profile) PDO3 (LS Profile)
Vender Name		0x7D (LS ELECTRIC)

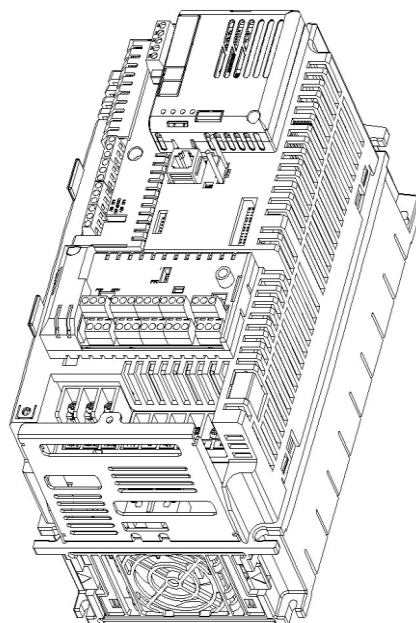
I/O POINT MAP

PDO Mapping	지원 안 합니다.
Group Messaging	지원 안 합니다.
LSS Supported	지원 안 합니다.

2.2 옵션 외관



2.3 체결



설치 시 주의 사항)

전원이 켜진 상태에서 CANopen 통신 카드를 장착 혹은 제거 하지 마십시오. CANopen 통신 카드와 인버터 본체 모두가 파손될 수 있습니다. 인버터의 콘덴서의 전압이 완전히 방전된 후 CANopen 통신 카드를 장착 혹은 제거 하십시오.

인버터 전원이 켜진 상태에서 통신 신호선 등의 변경 접속을 하지 마십시오.

인버터 본체와 옵션보드 커넥터가 정확히 일치하여 접속되도록 주의 하십시오.

Network 구성 시 맨 끝에 연결된 CANopen 통신 카드에 반드시 종단 저항을 연결 하십시오. 종단 저항은 CAN_L 과 CAN_H 사이에 연결하면 되고 종단 저항 값은 120 ohm 1/2W 입니다.

2.4 Baud Rate 에 따른 최대 통신거리

Network 구성 시 Baud Rate 에 따라 Network 구성 Line 의 총 거리가 결정됩니다. 이 거리를 초과할 경우에는 통신 성공에 대한 보장을 할 수 없습니다.

Baud Rate	Bus Length	비고
1 Mbit/s	25m	
800 Kbit/s	50m	
500 Kbit/s	100m	
250 Kbit/s	250m	
125 Kbit/s	500m	
100 Kbit/s	700m	
50 Kbit/s	1000m	
20 Kbit/s	2500m	

3. 옵션 상태 진단 및 LED 에 대한 정의**3.1 LED 에 대한 정의**

CANopen 통신 옵션은 4 개의 LED 로 구성되어 있습니다.

LED	설명
CPU	옵션에 전원이 인가되어 CPU 가 정상 동작을 하면 1 초 주기로 ON./OFF 합니다. 즉 500ms 동안 켜지고 500ms 동안 꺼집니다.
ERR	옵션 파라미터의 설정을 잘못했거나, 인버터와 CANopen 사이의 Internal CAN 통신이 두절 됐을 경우 LED 가 ON 됩니다.
NODE	현재 NMT(Network Management)상태에 따라 LED 가 ON 됩니다.
BUS	속도 설정이나 프로파일 설정 및 통신상태에 따라 LED 가 ON/OFF 됩니다.

3.2 LED 상태에 따른 옵션 상태 진단

LED	LED 상태	옵션 상태	원인	도움
CPU	항시 OFF	No Power	CANopen 통신 카드에 5V 전원이 확립되지 않음	인버터에 전원이 투입되었는지 확인 CANopen 통신카드에 전원이 투입되었는지 확인
	1 초 주기로 점멸	On Power	5V 전원이 확립 됨	정상 상태
ERR	항상 OFF	No Error	옵션 설정이 정상 임	정상 상태
	CPU Led 와 동기 점멸	Internal CAN 통신 Error	인버터와 옵션 사이의 Data 통신이 두절됐을 경우	인버터 전원을 OFF 한 후, 옵션을 재 장착하고 전원을 인가 함
	CPU Led 와 비동기 점멸	FBus ID Setting Error	COM-7 FBus ID 에 0 을 입력하였을 경우	FBus ID 를 0 이외의 1~127 숫자로 입력하고, COM-94 Comm Update 실행 함
	CPU Led 의 점멸 주기보다 2 배 늦은 주기로 점멸	Opt Parameter Setting	Keypad 로 설정한 CANopen 용 파라미터와 CANopen 에 설정되어 있는 파라미터가 다른 경우	COMM Update 실시하여 Keypad 로 설정한 CANopen 파라미터 값을 CANopen 옵션에 적용 시킴 CANopen 의 파라미터 값을 유지하고 싶으면 이전 값으로 설정을 하거나 인버터의 전원을 OFF/ON 을 하면 됩니다. ERR LED 가 점멸을 하고 있어도 CANopen 은 이전 설정된 값으로 구동되고 있습니다.
NODE	항상 OFF	CANopen Not Initial	CANopen 옵션에 전원이 들어오고 나서 NODE Led 가 한번도 켜지지 않았을 경우 CANopen 이 아직 초기화가 끝나지 않아서 CANopen 통신을 할 수 없는 상태를 말합니다.	기다려도 켜지지 않는 경우에는 COM-94 의 COMM Update 를 Yes 합니다.
NODE	항상 OFF	CANopen Stopped	NODE Led 가 한번이라도 불이 들어왔었을 경우는 CANopen Master 에서 Stopped 지령이 내려 왔을 때 입니다.	정상 상태 입니다.

LED	LED 상태	옵션 상태	원인	도움
	CPU Led 와 같이 점멸	CANopen Pre-Operational	Master 와 CANopen 통신을 할 수 있는 상태이며 아직 Master 와 Connection 을 맺지 않은 상태입니다.	정상 상태 입니다.
	항상 켜져 있음	CANopen Operational	Master 와 Connection 을 맺고 Master 와 CANopen 통신이 정상적으로 이루어 지고 있는 상태입니다.	정상 상태 입니다.
BUS	항상 켜져 있음	CANopen Network Bus No Error	CANopen Network 에 문제가 없습니다.	정상 상태 입니다.
	CPU Led 와 같이 점멸	CANopen Profile Setting Error	CANopen Master 에 설정된 Profile 과 옵션에 설정된 Profile 이 다른 경우입니다.	Master 에 설정된 PDO 와 옵션에 설정된 PDO 가 동일한지 체크합니다.
	CPU Led 의 점멸 주기가보다 2 배 낮은 주기로 점멸	PDO 통신 Not Connect	CANopen 통신 속도가 다른 경우 입니다.	Master 에 설정된 CANopen 통신속도와 옵션에 설정되어 있는 통신 속도가 동일한지 체크합니다.
			Master 와 아직 통신을 하기 위한 Connection 이 이루어 지지 않았습니다.	Master 가 통신을 시작하였는지 체크를 합니다.
			Network 선이 연결되지 않았을 경우입니다.	Network Line 연결이 잘되었는지 확인 합니다.
항상 꺼져 있음	Bus Off	CANopen 옵션이 Network 문제로 옵션이 Network 에서 분리 되었습니다.	Network Line 연결이 잘되었는지 확인 합니다. 특히 나사가 잘 조여져 있는지 확인합니다. 전원을 오프/온 합니다.	

4. CANopen 의 Data 통신 규칙

4.1 CANopen 의 통신 규칙

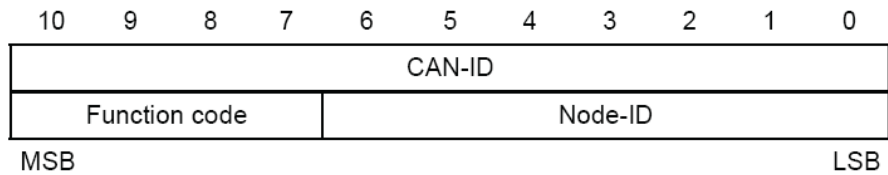
4.1.1 CAN-ID

CAN 프레임에서 ID 부분에 대한 설명입니다.

IS7 CANopen 에서는 CAN2.0A(Standard)만 지원을 합니다.

CAN2.0A 이므로 ID 는 11Bit 로 이루어져 있습니다.

아래 그림은 ID 의 구성을 나타낸 것입니다.



아래 표는 Broadcast Function code 입니다.

COB	Function code	Resulting CAN-ID
NMT	0000b	0 (000h)
SYNC	0001b	128 (080h)
TIME	0010b	256 (100h)

아래 표는 Peer to peer 용 Function code 입니다.

COB	Function code	Resulting CAN-ID
EMCY	0001b	129 (081h) – 255 (0FFh)
PD01 (tx)	0011b	385 (181h) – 511 (1FFh)
PD01 (rx)	0100b	513 (201h) – 639 (27Fh)
PD02 (tx)	0101b	641 (281h) – 767 (2FFh)
PD02 (rx)	0110b	769 (301h) – 895 (37Fh)
PD03 (tx)	0111b	897 (381h) – 1023 (3FFh)
PD03 (rx)	1000b	1025 (401h) – 1151 (47Fh)
PD04 (tx)	1001b	1153 (481h) – 1279 (4FFh)
PD04 (rx)	1010b	1281 (501h) – 1407 (57Fh)
SDO (tx)	1011b	1409 (581h) – 1535 (5FFh)
SDO (rx)	1100b	1537 (601h) – 1663 (67Fh)
NMT error control	1110b	1793 (701h) – 1919 (77Fh)

우리는 CAN2.0A 만 사용하므로 PDO 도 1~4 까지만 사용할 수 있습니다.

현재 사용하는 CANopen 옵션에서 사용하는 PDO 는 PDO1(CiA402 Profile)와 PDO3(LS Profile) 2 개 입니다.

4.1.2 SDO 통신

CANopen 이 마스터와의 연결과 상관 없이 Client 가 Data 를 Server 에 쓰거나 읽는 프로토콜을 말합니다.
 Client 가 Server 에 Data 를 쓰는 행위를 SDO Download 라고 하고 Data 를 읽어가는 행위를 SDO Upload 라고 합니다.

4.1.3 PDO 통신

규약에 의한 통신으로 PDO 에 정해진 Index, SubIndex Data 만을 전송하게 됩니다.
 PDO 의 Data 종류는 Mapping 을 통해 설정할 수도 있으나 IS7 에서는 Mapping 설정을 금지 하였습니다.
 PDO 에는 2 종류가 존재합니다. Transmit-PDO (TPDO), Receive-PDO(RPDO)
 PDO 는 Producer 와 Consumer 로 구분이 됩니다. 이는 SDO 통신에서 말하는 Server, Client 와는 다른 개념입니다. Producer 즉 제작자가 되고. 이는 Client 도 Producer 가 되고 Server 도 Producer 가 될 수 있다는 뜻입니다. TPDO 의 Producer 는 Server 이 되고 RPDO 의 Producer 는 Client 이다. 이는 Server 입장에서 PDO 가 구분되어 지기 때문이다. Consumer 는 Producer 가 생성한 PDO 를 받아 들이는 곳을 말합니다.

4.1.3.1 Transmission Modes

Synchronous transmission: SYNC 프레임에 따라 PDO 를 전송합니다.
 Event-driven transmission: 어떤 Event 에 의해 PDO 를 전송합니다.

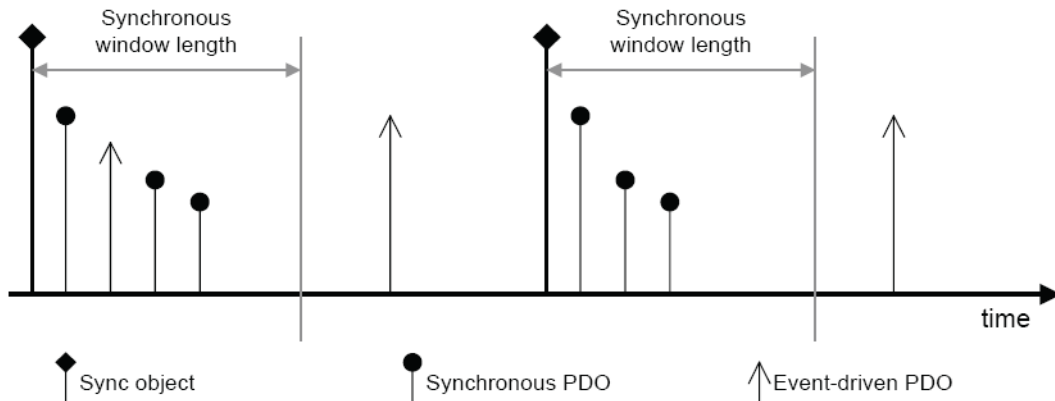


Figure 16: Synchronous and event-driven transmission

4.1.3.2 Triggering modes

PDO 를 전송하기 위한 Event 를 발생시키는 트리거 모드는 3 가지가 존재합니다.

- Event- and timer-driven

정해진 Event 시간이 지나면 자동으로 PDO 프레임을 전송합니다.

- Remotely requested

PDO 를 요청하는 RTR 프레임이 들어올 경우 PDO 프레임을 전송합니다.

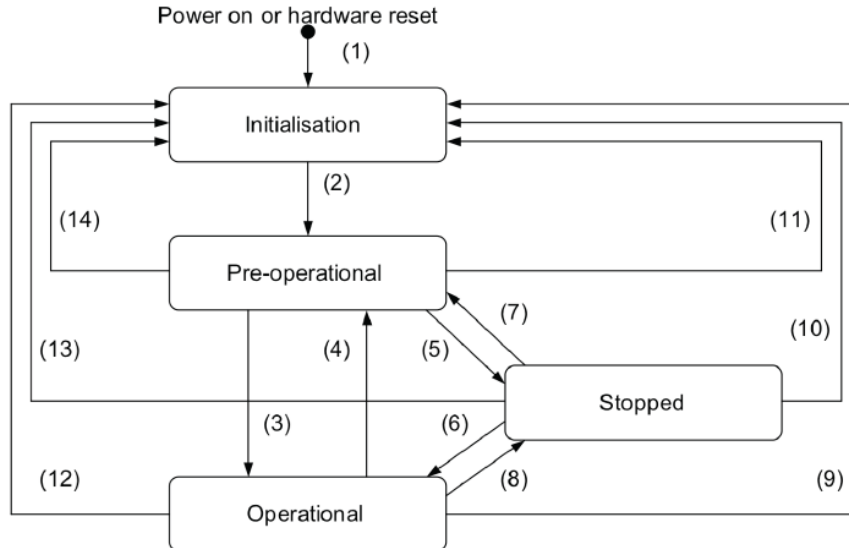
- Synchronously triggered

설정되어 있는 SYNC 프레임의 개수에 의해 PDO 프레임을 전송합니다.

4.2 NMT(Network Management) state machine

Master 에서 Network 내에 있는 Slave 기기들을 제어할 때 사용하는 명령입니다.

밑의 그림은 CANopen 기기의 NMT State Diagram 을 나타낸 것입니다.

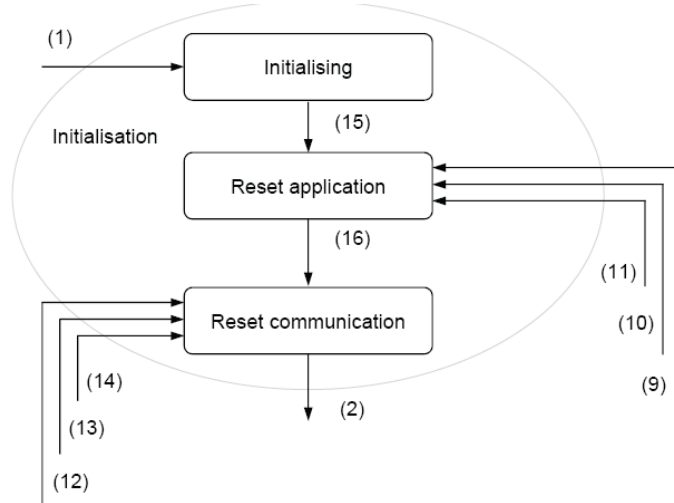


(1)	At Power on the NMT state initialisation is entered autonomously
(2)	NMT state Initialisation finished - enter NMT state Pre-operational automatically
(3)	NMT service start remote node indication or by local control
(4),(7)	NMT service enter pre-operational indication
(5),(8)	NMT service stop remote node indication
(6)	NMT service start remote node indication
(9),(10),(11)	NMT service reset node indication
(12),(13),(14)	NMT service reset communication indication

위의 표는 상태가 변환되는 조건들을 말하고 NMT Service 라는 것은 NMT 명령 프레임에 의해 변환되는 것들을 말합니다.

4.2.1 NMT state Initialization

Initialization 에서도 다시 3 가지 상태로 나누어 집니다.



(1)	At power on the NMT state initialisation is entered autonomously
(2)	NMT state Initialisation finished - enter NMT state Pre-operational automatically
(12), (13), (14)	NMT service reset communication indication
(9), (10), (11)	NMT service reset node indication
(15)	NMT sub-state Initialization finished – NMT sub-state reset application is entered autonomously
(16)	NMT sub-state reset application is finished – NMT sub-state reset communication is entered autonomously

Initializing : 최초의 옵션 상태로 Power-On 혹은 H/W Reset 이 걸린 후 각종 초기화를 하는 단계

Reset Application : NMT 에서 Node Reset 을 요구하였을 때 이며 이때는 Profile 에 대해서 초기화를 합니다.

Reset Communication : NMT 프레임에서 Communication Reset 을 요구하였을 때 이며 NMT 프레임을 통해 Boot-Up 되었다고 Master 에 알려줍니다. Pre Operational 로 자동으로 들어가게 됩니다.

4.2.2 NMT state Pre-operational

PDO 통신을 하기 전 PDO 에 대한 정보를 SDO 를 통해 Master 가 Slave 에 전달하거나 필요한 Data 를 읽어 갑니다. PDO 통신을 하기 전에 SDO 를 통해 PDO 통신을 준비하는 단계입니다.

4.2.3 NMT state Operational

NMT 프레임을 통해서 모든 기기를 Operation 으로 변환시켜서 PDO 통신을 시작하게 합니다. SDO 통신도 물론 가능합니다.

4.2.4 NMT state Stopped

Network 에 문제가 발생하였을 때 SDO 통신과 PDO 통신을 중단한 상태입니다. 단 Node Guarding 과 Heartbeat 통신은 가능합니다.

4.2.5 NMT 상태에 따른 통신 가능 프레임

	Pre-operational	Operational	Stopped
PDO		O	
SDO	O	O	
SYNC	O	O	
TIME	O	O	
EMCY	O	O	
Node control and error control	O	O	O

* O 표시가 통신이 가능하다는 표시임

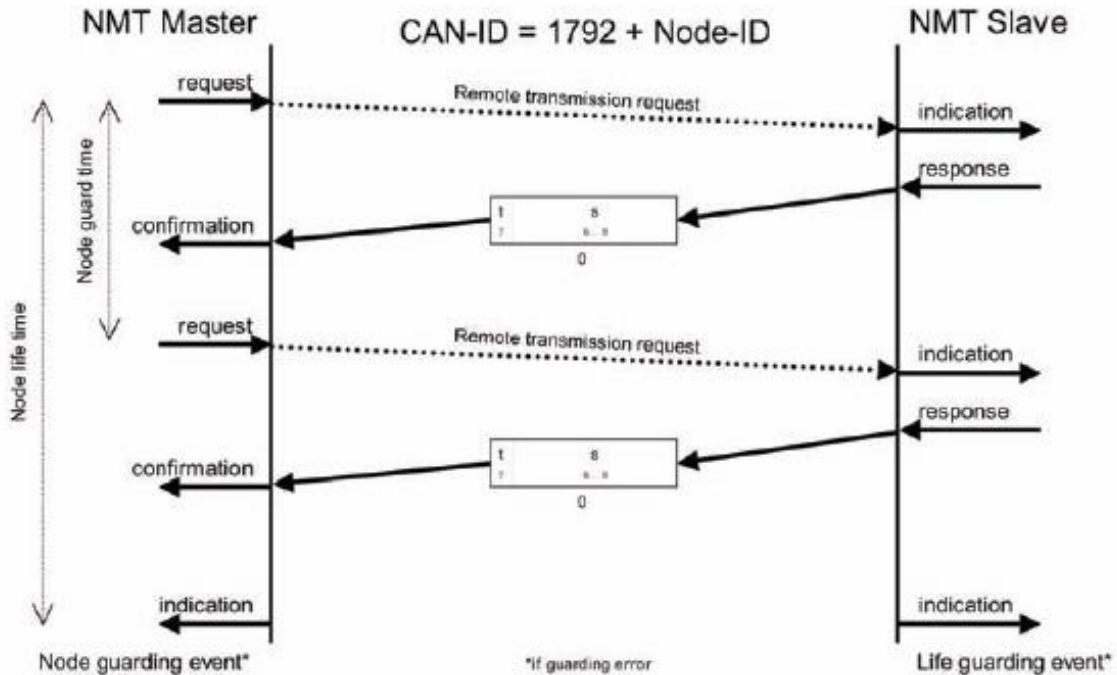
4.3 Error Control Protocols

Device 들이 현재 잘 동작하고 있는지 알아보는 Protocol 들을 말합니다.

CANopen 에서는 2 가지 방식이 있습니다. Protocol node guarding 과 Protocol heartbeat 이 있습니다.

4.3.1 Protocol node guarding

Master 에서 Slave 가 잘 동작하고 있는지를 RTR Frame 을 통해 Slave 에 물어 보면 Slave 는 현재 NMT State 를 Master 에게 가르쳐 주는 방식입니다.



S 의 값에 따라 Slave 의 MNT 상태를 말해 줍니다.

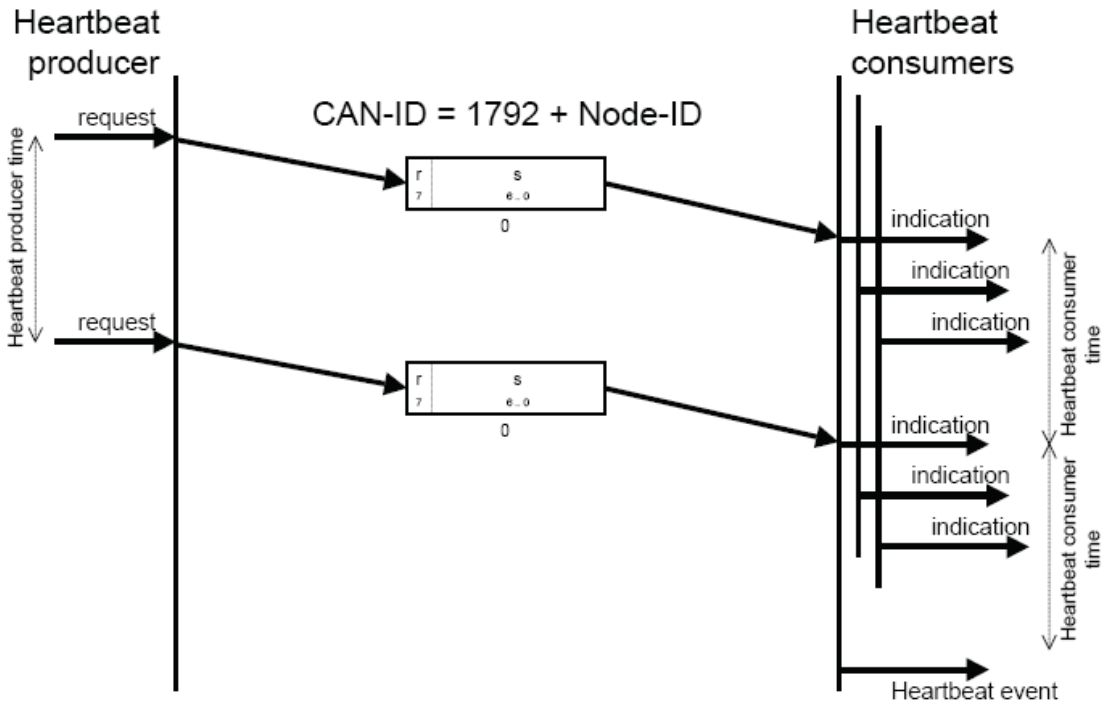
- . 4: Stopped
- . 5: Operational
- . 127: Pre-operational

상위 bit 의 t 는 Toggle Bit 로 Slave 가 응답을 해 줄 때마다 Toggle 을 합니다.

Master 는 RTR Frame 을 설정된 Node guard time 마다 Slave 에 전송합니다. 만일 Master 가 Node life time 이 지나도록 RTR Frame 을 전송하지 않거나 Slave 가 Node life time 이 지나도록 Master 에 응답을 하지 않았을 경우에 Guard Error 가 발생 하게 됩니다. 그러면 각 Master 와 Slave 에 설정되어 있는 Guard Error Event 가 수행 됩니다. iS7 인 경우에는 CANopen NMT State 가 Pre-operational 으로 됩니다.

4.3.2 Protocol heartbeat

Error Control Protocol 을 Heartbeat 로 설정 하였을 경우 Heartbeat Producer 에 설정되어 있는 시간마다 자신의 MNT State 정보를 보냅니다. Heartbeat consumer 는 설정 되어 있는 시간 동안 Heartbeat Producer 가 Heartbeat 를 보내지 않았을 경우 Consumer 에서는 Heartbeat event 가 발생합니다.



S 의 값에 따라 Slave 의 MNT 상태를 말해 줍니다.

- 4: Stopped
- 5: Operational
- 127:Pre-operational

상위 r 는 예약 비트로 항상 0 입니다.

iS7 CANopen 은 Producer 로 설정되어 있는 시간 마다 현재 NMT State 를 consumers 에게 가르쳐 주는 방식입니다. 그러므로 일반적으로 Master 가 Consumer 가 됩니다.

4.4 CANopen EDS File

인버터의 파라미터에 대한 정보가 들어있는 파일입니다. CANopen Manager 프로그램을 통하여 SV-iS7 의 파라미터를 제어하고자 할 때 사용합니다. 이 경우 우선 LS ELECTRIC 에서 제공하는 iS7 용 EDS 파일을 PC 에 설치 하셔야 합니다.

- EDS file 은 LS ELECTRIC 홈페이지(www.lselectric.co.kr)를 통해서 다운로드 받을 수 있습니다.

- EDS 파일 이름 : LSIS_IS7_CANOPENxx.EDS
 LSIS_IS7_CANOPENxx.EDS 는 Master Configuration 프로그램에서 EDS 파일을 넣어두는 폴더에 Copy 하면 됩니다.

5. Detailed specification of communication profile specific objects

5.1 Device type

옵션의 Device Type 을 나타내는 SDO 입니다.

Index	0x1000
Data type	UNSIGNED32
Sub-index	0x00
Access	RO(Read Only 읽기 전용)
Data	0x00010192

5.2 Error register

옵션의 Error 에 대한 정보 입니다.

Index	0x1001	
Data type	UNSIGNED8	
Sub-index	0x00	
Access	RO	
Data	Bit	정보
	0	Generic error
	1	Current
	2	Voltage
	3	Temperature
	4	Communication error (overrun, error state)
	5	Device profile specific
	6	reserved (always 0b)
7	manufacturer-specific	

5.3 Pre-defined error field

현재 Emergency 에 대한 정보 입니다.

Index	0x1003
Data type	UNSIGNED32
Object code	Object code
Sub-index	0x00

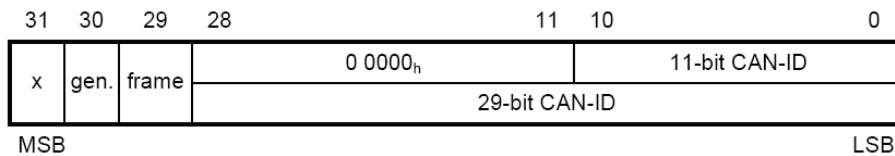
I/O POINT MAP

Description	발생한 Error의 개수	
Access	RW (Read/ Write)	
Data	Read	현재 발생한 Emergency Error의 개수
	Write	0을 적었을 경우 Emergency가 모두 Reset
Sub-index	0x01	
Description	가장 최근에 발생한 Emergency 정보	
Access	RO	
Data	Error code 값 (6.1.2.1의 Error Code표 참조)	
Sub-index	0x02~0x08	
Description	최근에 발생한 Emergency 정보	
Access	RO	
Data	Error code 값 (6.1.2.1의 Error Code표 참조)	

5.4 COB-ID SYNC message

SYNC Message 를 보내주는 Device 의 CAN ID 에 대한 정보를 읽고 쓰는 SDO 입니다.

Bit 형식은 다음과 같습니다.



iS7 CANopen 옵션은 SYNC 를 받아 들이기만 할 뿐 생성은 하지 않습니다. 또한 ID 도 Standard 만 지원을 하게 되어 있습니다. 그러므로 gen 과 frame 은 모두 0 이어야 합니다.

Index	0x1005	
Data type	UNSIGNED32	
Sub-index	0x00	
Access	RW	
Data	Read	현재 설정되어 있는 SYNC 의 COB-ID
	Write	SYNC 의 COB-ID 를 설정

5.5 Manufacturer device name

CANopen 옵션의 이름정보 입니다.

Index	0x1008	
Data type	VISIBLE_STRING (문자 열)	
Sub-index	0x00	

Access	CONST (변경불가의 Data 로 읽기 전용임)
Data	IS7 CANopen

5.6 Manufacturer hardware version

옵션의 하드웨어의 버전 정보입니다.

Index	0x1009
Data type	VISIBLE_STRING (문자 열)
Sub-index	0x00
Access	CONST (변경불가의 Data 로 읽기 전용임)
Data	CANopen 1.00 (옵션 H/W 버전에 따라 달라질 수 있음)

5.7 Manufacturer software version

옵션 소프트웨어의 버전 정보입니다.

Index	0x100A
Data type	VISIBLE_STRING (문자 열)
Sub-index	0x00
Access	CONST (변경불가의 Data 로 읽기 전용임)
Data	Version 1.00 (옵션 S/W 버전에 따라 달라질 수 있음)

5.8 Guard time

Error Control Protocol 중 Node Guarding Protocol 을 사용할 때의 Guard time 을 설정하는 SDO 입니다.

Index	0x100C
Data type	UNSIGNED16
Sub-index	0x00
Access	RW
Data	Guard Time 시간이며 단위는 msec

5.9 Life time factor

Error Control Protocol 중 Node Guarding Protocol 을 사용할 때의 Life time factor 을 설정하는 SDO 입니다.

Index	0x100D
Data type	UNSIGNED8
Sub-index	0x00
Access	RW
Data	Node Life Time 을 계산하기 위한 factor 로 Node Guarding Protocol 을 사용하지 않을 때는 0 입니다.

5.10 Store parameters

통신으로 바뀐 Keypad 용 Data 들을 전원이 꺼져도 저장되게 하는 SDO 입니다.

I/O POINT MAP

Sub-Index 0x01,0x02,0x03 은 지원 하지 않으며 0x04 만 지원을 합니다.

Index	0x1010										
Data type	UNSIGNED32										
Sub-index	0x04										
Name	Save Inverter Parameters										
Access	RW										
Data	Read	0x0001 일 때에는 저장을 할 수 있다는 뜻입니다. 0x0000 일 때에는 인버터의 구동 등에 의해서 저장을 할 수 없다는 뜻입니다.									
	Write	<p style="text-align: center;">Signature MSB LSB</p> <table border="1" style="margin-left: auto; margin-right: auto;"> <tr> <td style="text-align: center;">ISO8859/ character</td> <td style="text-align: center;">e</td> <td style="text-align: center;">v</td> <td style="text-align: center;">a</td> <td style="text-align: center;">s</td> </tr> <tr> <td style="text-align: center;">hex</td> <td style="text-align: center;">65_h</td> <td style="text-align: center;">76_h</td> <td style="text-align: center;">61_h</td> <td style="text-align: center;">73_h</td> </tr> </table> <p>위의 표와 같은 값을 Data 로 전송해야만 Keypad 파라미터들이 ROM 에 저장 됩니다.</p>	ISO8859/ character	e	v	a	s	hex	65 _h	76 _h	61 _h
ISO8859/ character	e	v	a	s							
hex	65 _h	76 _h	61 _h	73 _h							

5.11 COB-ID EMCY

Emergency Frame 의 CAN-ID 를 설정하는 SDO 입니다. IS7 CANopen 에서는 설정이 금지되어 있고 읽기 전용으로만 되어 있습니다.

Index	0x1014
Data type	UNSIGNED32
Sub-index	0x00
Access	RW
Data	\$NODEID+0x80(\$Node ID 는 현재 옵션에 설정되어 있는 FBus ID 입니다.)

5.12 Producer heartbeat time

Heartbeat 를 전송해 주는 시간을 나타내는 SDO 입니다.

Index	0x1017
Data type	UNSIGNED16
Sub-index	0x00
Access	RW
Data	msec 단위의 시간을 설정 합니다.

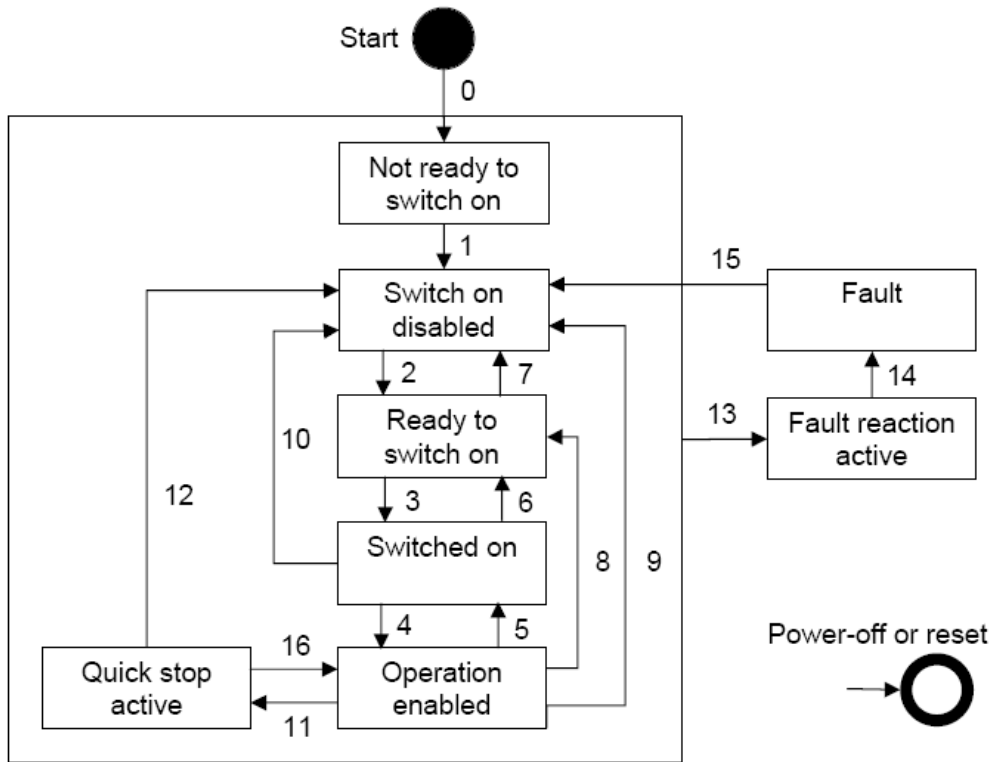
6. Profile

6.1 CiA 402 Drive and Motion Control device profile

Velocity Mode 만 지원합니다.

6.1.1 Finite State Automation

이 State 는 CiA 402 일 때 사용하는 옵션의 상태입니다.



Not ready to Switch On : CANopen 의 하드웨어 및 Stack 을 초기화 하는 상태입니다.

Switch on disable : 현재 Option 상태가 Switch On 을 할 수 없는 상태입니다.

Ready to switch on : 언제든지 Switch on 으로 변경할 수 있는 상태입니다

Switch on : 언제든지 Operation enable 할 수 있는 상태. 언제든지 RUN 지령을 내릴 수 있는 상태입니다.

Operation enabled : 모터가 구동하고 있는 상태입니다

Quick stop active : 모터를 정지 시키는 상태 혹은 정지 상태를 말합니다..

상태 변환에 따른 인버터 동작 표 입니다.

Transition	Event	Action
0	자동 변환	자가 진단 및 변수 초기화
1	자동 변환	CANopen 통신 가능
2	Operation Mode 로 변환	없음
3	Switch on 명령을 받았을 때	없음
4	Enable Operation 명령을 받았을 때	모터구동
5	Disable Operation 명령을 받았을 때	현 인버터 상태 유지 운전 명령을 받아 들이지 않음 즉 정지 명령을 안받음
6	Shut Down 명령을 받았을 때	모터가 구동 중이었으면 Free run stop 을 함

I/O POINT MAP

7	Disable voltage 명령을 받았을 때	없음
8	Shut Down 명령을 받았을 때	Free run stop 을 함
9	Disable voltage 명령을 받았을 때	Free run stop 을 함
10	Disable voltage 명령 혹은 Quick Stop 명령을 받았을 때	Free run stop 을 함
11	Quick Stop 명령을 받았을 때	Quick Stop 에 설정되어 있는 감속 시간으로 감속
12	Disable voltage 명령을 받았을 때	Free run stop 을 함
13	인버터에 Trip 이 발생하였을 경우	Trip 시퀀스 수행
14	자동으로 변환	Trip 시퀀스 수행
15	Reset 명령을 받거나 Trip 이 해지 되었을 때	Switch on disable 상태로 변환
16	Enable operation 명령을 받았을 때	다시 모터 구동

6.1.2 CiA 402 SDO

6.1.2.1 Error codes (Object : 0x603F)

Index : 0x603F

인버터에 Trip 이 발생하였을 경우 그 Trip 의 종류를 알기 위해 사용하는 SDO 입니다.

아래 표는 인버터에 Trip 이 발생했을 때 응답하는 Error code 번호입니다.

Fault Code Number	Description
0x0000	None
0x1000	UNDEFINED
0x2220	Inverter OLT
0x2310	OverCurrent1
0x2330	Ground Trip
0x2340	OverCurrent2
0x3130	In Phase Open
0x3210	Over Voltage
0x3220	Low Voltage
0x4000	NTC Open
0x4310	Over Heat
0x5000	HWDiag
0x5450	Fuse Open
0x6300	Para Write Trip
0x7001	Fan Trip
0x7011	OptionTrip1
0x7012	OptionTrip2

Fault Code Number	Description
0x7013	OptionTrip3
0x7021	IO Board Trip
0x7022	XIO Trip
0x7120	No Motor Trip
0x7310	EncorderTrip
0x8401	Speed Dev Trip
0x8402	OverSpeed
0x9001	External Trip
0x9002	BX
0xFF01	Ethermal
0xFF03	Out Phase Open
0xFF04	Over Load
0xFF05	Under Load
0xFF06	Thermal Trip
0xFF07	Pre PID Fail
0xFF0A	Lost Command
0xFF0B	Lost Keypad

6.1.2.2 Control word (Object : 0x6040)

Index : 0x6040

아래 Bit 구성은 Control Word 의 Bit 별 명령입니다.


15	14	13	12	11	10	9	8	7	6	5	4	3	2	1	0
nu	nu	nu	nu	nu	r	nu	h	fr	rr	ur	er	eo	qs	ev	so

- so: Switch on
- ev: Enable Voltage
- qs: Quick stop
- eo: Enable operation
- er: Enable ramp
- ur: Unlock ramp
- rr: Reference ramp
- fr: Fault reset
- h: halt
- r: reserved
- nu: Not used

4bit 에서 7bit 사이는 Operation Mode 에서 동작하는 명령 비트입니다.

I/O POINT MAP

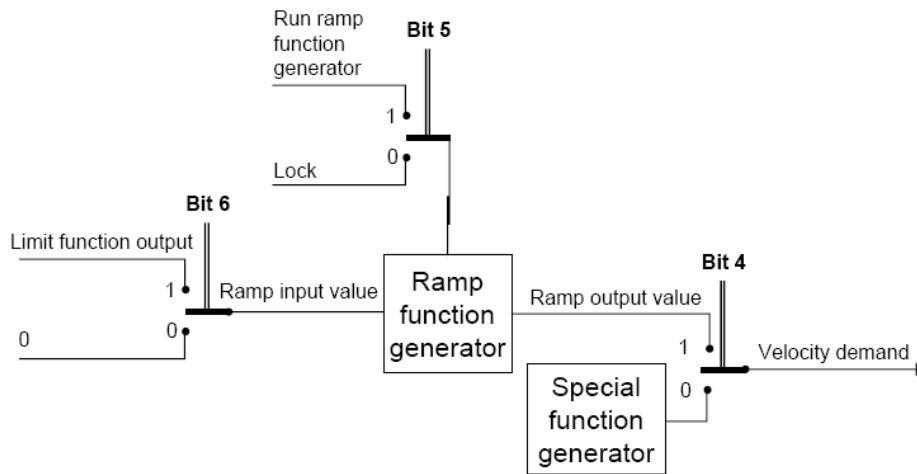
아래 표는 5.1.1 에서 나오는 FSA 의 상태에서의 명령 방법입니다.

Command	Bits of the controlword					Transitions
	Bit 7	Bit 3	Bit 2	Bit 1	Bit 0	
Shutdown	0	X	1	1	0	2,6,8
Switch on	0	0	1	1	1	3
Switch on + enable operation	0	1	1	1	1	3 + 4 (NOTE)
Disable voltage	0	X	X	0	X	7,9,10,12
Quick stop	0	X	0	1	X	7,10,11
Disable operation	0	0	1	1	1	5
Enable operation	0	1	1	1	1	4,16
Fault reset		X	X	X	X	15
NOTE Automatic transition to Enable operation state after executing SWITCHED ON state functionality.						

Transitions 에 나오는 숫자는 5.1.1 에 나오는 인버터 동작 표의 번호입니다..

Enable Operation 에서 사용하는 명령 비트 설명이다.

Bit	Value	설명
4 (Enable Ramp)	0	이전 운전 상태를 유지
	1	명령 비트에 의해 인버터 운전
5 (Unlock Ramp)	0	출력 주파수 Hold
	1	목표 주파수까지 구동
6 (Reference Ramp)	0	목표주파수에 Zero 입력
	1	목표주파수가 설정한 값으로 입력
8 (Halt)	X	사용 안 함



6.1.2.3 Statusword(Object : 0x6041)

Index : 0x6041

아래 Bit 구성은 Control Word 의 Bit 별 명령입니다.

15	14	13	12	11	10	9	8	7	6	5	4	3	2	1	0
nu	nu	nu	Nu	ila	tr	rm	nu	w	sod	qs	ve	f	oe	so	rtso

- rtso : ready to switch on
- so : switched on
- oe : operation enabled
- f: fault(Trip)
- ve: voltage enabled
- qs: quick stop
- sod: switch on disabled
- w: warning
- rm: remote
- tr: target reached
- ila: internal limit active
- nu: not used

FAS 의 상태에 따른 비트 값

Statusword	PDS FSA state
xxxx xxxx x0xx 0000 _b	Not ready to switch on
xxxx xxxx x1xx 0000 _b	Switch on disabled
xxxx xxxx x01x 0001 _b	Ready to switch on
xxxx xxxx x01x 0011 _b	Switched on
xxxx xxxx x01x 0111 _b	Operation enabled
xxxx xxxx x00x 0111 _b	Quick stop active
xxxx xxxx x0xx 1111 _b	Fault reaction active
xxxx xxxx x0xx 1000 _b	Fault

6.1.2.4 vl target velocity(Object : 0x6042)

Index: 0x6042

기능: Target 속도

단위: rpm

기본 포맷: 0

설정 범위: : -30000 ~ 30000

(-값은 역방향 운전, +값은 정방향 운전, 인버터의 파라미터 설정에 따라 범위가 달라짐)

Object description

Attribute	Value
Index	6042 _n
Name	vl target velocity
Object Code	Variable
Data Type	Integer16
Category	Conditional: mandatory if vl is supported

Entry description

Attribute	Value
Sub-Index	00 _n
Access	rw
PDO Mapping	See /CiA402-3/
Value Range	Integer16
Default Value	0000 _n

6.1.2.5 vl velocity demand (Object : 0x6043)

Index: 0x6042

기능: 현재 목표 속도

단위: rpm

기본 포맷: 0

설정 범위: : -30000 ~ 30000

(-값은 역방향 운전, +값은 정방향 운전, 인버터의 파라미터 설정에 따라 범위가 달라짐)

Object description

Attribute	Value
Index	6043 _h
Name	v/ velocity demand
Object Code	Variable
Data Type	Integer16
Category	Conditional: mandatory if v/ is supported

Entry description

Attribute	Value
Sub-Index	00 _h
Access	ro
PDO Mapping	See /CiA402-3/
Value Range	Integer16
Default Value	No

6.1.2.6 v/ velocity actual value (Object : 0x6044)

Index: 0x6044

기능: 현재 운전 속도

단위: rpm

기본 포맷: 0

설정 범위: -30000 ~ 30000

(-값은 역방향 운전, +값은 정방향 운전, 인버터의 파라미터 설정에 따라 범위가 달라짐)

Object description

Attribute	Value
Index	6044 _h
Name	v/ velocity actual value
Object Code	Variable
Data Type	Integer16
Category	Conditional: mandatory, if v/ is supported

Entry description

Attribute	Value
Sub-Index	00 _h
Access	ro
PDO Mapping	See /CiA402-3/
Value Range	Integer16
Default Value	No

6.1.2.7 v/ velocity min max amount(Object :0x6046)

CiA402 Profile 에는 지원하는 오브젝트이지만 IS7 의 기능상 구현할 경우 유저에게 혼돈을 주게 되므로 구현을 하지 않았습니다. 동일 기능의 Parameter 로 ADV 24, ADV 25, ADV26 에 있습니다.

6.1.2.8 v/ velocity Acceleration(Object :0x6048)

Index: 0x6050

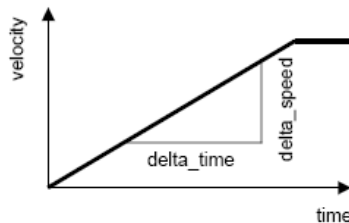
기능: 가속 시간을 설정하는 오브젝트

단위: sec

기본 포맷: 0.0

설정 범위: 0.0 ~ 600.0 (인버터의 파라미터 설정에 따라 범위가 달라짐)

$$v/ \text{ velocity acceleration} = \frac{\text{delta speed}}{\text{delta time}}$$



Transfer characteristic of the velocity acceleration

그림에서 보듯이 Delta 스피드와 Delta 시간을 통해 가속시간을 정합니다.

우리 인버터의 안정성을 고려해서 delta_speed 를 Max Speed 로 고정하고 설정하는 파라미터를 제외하였습니다.

Object description

Attribute	Value
Index	6048 _h
Name	v/ velocity acceleration
Object Code	Record
Data Type	v/ velocity acceleration deceleration
Category	Conditional: Mandatory of v/ is supported

Entry description

Sub-Index	02 _h
Description	Delta time
Entry Category	Mandatory
Access	rw
PDO Mapping	See /CiA402-3/
Value Range	Unsigned16
Default Value	Manufacturer-specific

6.1.2.9 v/ velocity deceleration(Object :0x6049)

Index: 0x6049

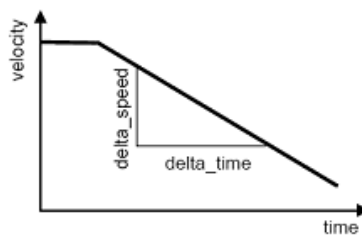
기능: 감속 시간을 설정하는 오브젝트

단위: sec

기본 포맷: 0.0

설정 범위: 0.0 ~ 600.0 (인버터의 파라미터 설정에 따라 범위가 달라짐)

$$v/ \text{ velocity deceleration} = \frac{\text{delta speed}}{\text{delta time}}$$



Transfer characteristic of the velocity deceleration

그림에서 보듯이 Delta 스피드와 Delta 시간을 통해 감속시간을 정합니다..

우리 인버터의 안정성을 고려해서 delta_speed 를 Max Speed 로 고정하고 설정하는 파라미터를 제외하였습니다.

Object description

Attribute	Value
Index	6049 _h
Name	v/ velocity deceleration
Object Code	Record
Data Type	v/ velocity acceleration deceleration
Category	Conditional: Mandatory of v/ is supported

Entry description

Sub-Index	02 _h
Description	Delta time
Entry Category	Mandatory
Access	rw
PDO Mapping	See /CiA402-3/
Value Range	Unsigned16
Default Value	Manufacturer-specific

6.1.2.10 v/ velocity Quick Stop (Object :0x604A)

Index: 0x604A

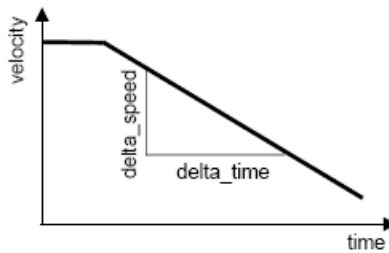
기능: Quick Stop 시간을 설정하는 오브젝트

단위: sec

기본 포맷: 0.0

설정 범위: 0.0 ~ 600.0 (인버터의 파라미터 설정에 따라 범위가 달라짐)

$$velocity\ quick\ stop = \frac{\Delta\ speed}{\Delta\ time}$$



Transfer characteristic of the quick stop deceleration

그림에서 보듯이 Delta 스피드와 Delta 시간을 통해 감속시간을 정합니다..

자사 인버터의 안정성을 고려해서 delta_speed 를 Max Speed 로 고정하고 설정하는 파라미터를 제외하였습니다.

Object description

Attribute	Value
Index	604A _h
Name	v/ velocity quick stop
Object Code	Record
Data Type	v/ velocity acceleration deceleration
Category	Conditional: Mandatory of v/ is supported

Entry description

Sub-Index	02 _h
Description	Delta time
Entry Category	Mandatory
Access	rw
PDO Mapping	See /CiA402-3/
Value Range	Unsigned16
Default Value	Manufacturer-specific

6.1.3 IS7 용 SDO

6.1.3.1 공통영역 SDO 주소

-. 인버터 모니터링 영역

통신주소 0h300 ~ 0h37F 사이의 읽기 전용 공통영역 파라미터들을 말합니다.

CANopen 에서는 Index 를 0x4000 이고 Sub Index 는 통신주소에서 0h300 을 뺀 나머지 값에 1 을 더한 값입니다.

예) 통신 주소 0h0310 에 있는 값을 읽고 싶으면 Index : 0x4000, Sub Index : 0x11 의 Data 입니다.

-. 인버터 제어 영역

통신주소 0h380 ~ 0h3DF 사이의 제어 전용 공통영역 파라미터들을 말합니다.

CANopen 에서는 Index 를 0x4001 이고 Sub Index 는 통신주소에서 뒤에 두 자리 수에 1 을 더한 값입니다.

예) 통신 주소 0h0389 에 있는 값을 읽고 싶으면 Index : 0x4001, Sub Index : 0x0A 의 Data 입니다.

-. 인버터 메모리 제어 영역

통신주소 0h3E0 ~ 0h3FF 사이의 메모리 제어 공통영역 파라미터들을 말합니다.

CANopen 에서는 Index 를 0x4002 이고 Sub Index 는 통신주소에서 0h3E0 을 뺀 나머지 값에 1 을 더한 값입니다.

예) 통신 주소 0h03E1 에 있는 값을 읽고 싶으면 Index : 0x4002, Sub Index : 0x02 의 Data 입니다.

주의) 메모리 제어 영역 값은 설정하기 전에 설정되어 있던 값이 0 인지를 확인 하여야 한다. 이전 값이 0 이 아닌 경우에는 먼저 0 으로 설정하고 다시 원하는 값으로 설정하여야만 파라미터의 기능이 동작하게 된다. 이전 값이 0 이 아닌 경우에 또 다시 0 이 아닌 값을 설정하면 파라미터는 기능 수행을 하지 않습니다.

예) 0h03E0 (Index:0x4002 SubIndex 0x01) 파라미터 저장에서 이전 값이 1:Yes 인 경우 먼저 0:No 로 값을 바꾼 후 1:Yes 로 설정을 하게 되면 설정된 인버터 파라미터들이 저장되게 됩니다.

6.1.3.2 Keypad 파라미터영역의 SDO 주소

Keypad 파라미터들은 Group 에 의해 Index 값이 정해지며 SubIndex 는 코드 번호입니다.

아래 표는 Group 에 따른 Index 값을 나타낸 것입니다.

Index	영역
0x4010	DRV Group
0x4011	BAS Group
0x4012	ADV Group
0x4013	CON Group
0x4014	IN Group
0x4015	OUT Group
0x4016	COM Group
0x4017	APP Group
0x4018	APO Group
0x4019	PRT Group
0x401A	M2 Group

예) In Group 의 Code 20 번 파라미터 I1 Monitor[mA]의 값을 읽기 위해서는 Index 0x4014 그리고 SubIndex 0x14 의 값을 읽으면 됩니다.

6.2 PDO

CiA 402 Drive and Motion Control 중 Frequency converter 용 PDO 에 대해서 구현되어 있습니다.

6.2.1 RPDO

CiA 402 Profile 의 RPDO 는 다음과 같습니다.

RPDO 번호	지원	설명
1	필수	Controls PDS FSA and Target velocity(vl)
2	선택	Controls PDS FSA and Target velocity(vl), and target torque(tq)
3	선택	제조사 Specification

IS7 CANopen 에서는 RPDO1 과 RPDO3 만을 지원합니다.

RPDO 들의 수신 방법에 대한 설정입니다.

RPDO1 의 통신 파라미터 Object 의 Index 는 0x1400 입니다.

RPDO3 의 통신 파라미터 Object 의 Index 는 0x1402 입니다.

Object 안의 Sub Index 파라미터들은 동일 합니다.

Sub Index	특성	설명
0x01	기능	COB-ID (PDO 의 고유 CAN ID 값)

	Access	RW
	초기값	0x0200 + Node ID (RPDO1), 0x0400 + Node ID (RPDO3)
0x02	기능	Transmission Type
	Access	RW
	초기값	255

Transmission Type 값에 따른 Trans Mode

0: SYNC 가 발생하였을 때 마스터에서 RPDO 를 생성하며 이전 Data 와 변화가 없을 경우 에는 전송하지 않고 Data 의 변화가 있을 때만 RPDO 를 전송합니다.

1~240: SYNC 가 설정된 수만큼 들어오면 한번 RPDO 를 전송합니다.

252: 지원하지 않습니다.

253: 지원하지 않습니다.

254: Manufacturer defined (마스터의 종류에 따라서 다릅니다.)

255: Event Trigger 에 의한 RPDO 를 전송합니다.

6.2.2 RPDO MAPPING

iS7 CANopen Map 은 고정되어 있습니다. 그러므로 고객이 Map 을 마음대로 수정할 수가 없습니다.

6.2.2.1 RPDO1 Mapping

CiA 402 Profile 에 설정되어 있는 RPDO 입니다.

Index: 0x1600

아래 표는 RPDO1 Map 입니다.

Sub index	설정 값	파라미터 Index	파라미터 Sub Index	파라미터 명
0x01	0x60400010	0x6040	-	Control word
0x02	0x60420010	0x6042	-	vl target velocity

6.2.2.2 RPDO3 Mapping

LS Drive Profile 에 설정되어 있는 PDO 입니다.

Index: 0x1602

아래 표는 RPDO3 Map 입니다.

Sub index	설정 값	파라미터 Index	파라미터 Sub Index	파라미터 명
0x01	0x30100010	0x3010	-	Para Control - 1 Data Value
0x02	0x30110010	0x3011	-	Para Control - 2 Data Value
0x03	0x30120010	0x3012	-	Para Control - 3 Data Value
0x04	0x30130010	0x3013	-	Para Control - 4 Data Value

Para Control -x Data Value 는 COM-51~54 까지 설정되어 있는 통신주소의 파라미터에 Write 할 값입니다.

6.2.3 TPDO

CiA 402 Profile 의 TPDO 는 다음과 같습니다.

I/O POINT MAP

RPDO 번호	지원	설명
1	필수	Controls PDS FSA and Target velocity(vl)
2	선택	Controls PDS FSA and Target velocity(vl), and target torque(tq)
3	선택	제조사 스펙

IS7 CANopen 에서는 TPDO1 과 TPDO3 만을 지원합니다.

TPDO 들의 수신 방법에 대한 설정입니다.

TPDO1 의 통신 파라미터 Object 의 Index 는 0x1400 입니다.

TPDO3 의 통신 파라미터 Object 의 Index 는 0x1402 입니다.

Object 안의 Sub Index 파라미터들은 동일 합니다.

Sub Index	특성	설명
0x01	기능	COB-ID (PDO 의 고유 CAN ID 값)
	Access	RW
	초기값	0x0180 + Node ID (TPDO1), 0x0380 + Node ID (TPDO3)
0x02	기능	Transmission Type
	Access	RW
	초기값	255
0x03	기능	Inhibit Time
	Access	RW
	초기값	0
0x05	기능	Event Timer
	Access	RW
	초기값	0

Transmission Type 값에 따른 Trans Mode

0: SYNC 가 발생하였을 때 CANopen 옵션에서 TPDO 를 생성하며 이전 Data 와 변화가 없을 경우 에는 전송하지 않고 Data 의 변화가 있을 때만 TPDO 를 전송합니다.

1~240: SYNC 가 설정된 수만큼 들어오면 한번 RPDO 를 전송합니다.

252: SYNC 가 발생할 때 마다 Data 는 PDO 에 Update 가 되며 마스터에서 TPDO 를 원하는 Remote Frame 이 전송되었을 경우 TPDO 를 전송합니다.

253: 마스터가 TPDO 를 원하는 Remote Frame 이 들어오면 Data 를 Update 하고 TPDO 를 전송합니다.

254: Manufacturer defined (IS7 CANopen 에서는 Event Time 마다 TPDO 를 전송합니다.)

255: Event Trigger 에 의한 TPDO 를 전송합니다. Data 의 변화가 Event Time 이 지나도록 변화가 없으면 TPDO 를 전송하고 Event Time 전에 변화가 있을 때에는 Inhibit Time 이 지나고 나서는 TPDO 를 전송합니다.

Inhibit Time 이 지나기 전에는 TPDO 를 전송하지 않습니다.

6.2.4 TPDO MAPPING

IS7 CANopen 은 Map 은 고정되어 있습니다. 그러므로 고객이 Map 을 마음대로 수정할 수가 없습니다.

6.2.4.1 TPDO1 Mapping

CiA 402 Profile 에 설정되어 있는 PDO 입니다.

Index: 0x1A00

아래 표는 PDO1 Map 입니다.

Sub index	설정 값	파라미터 Index	파라미터 Sub Index	파라미터 명
0x01	0x60410010	0x6041	-	Statusword
0x02	0x60440010	0x6044	-	vl velocity actual value

6.2.4.2 TPDO3 Mapping

LS Drive Profile 에 설정되어 있는 PDO 입니다.

Index: 0x1A02

아래 표는 PDO3 Map 입니다.

Sub index	설정 값	파라미터 Index	파라미터 Sub Index	파라미터 명
0x01	0x30000010	0x3000	-	Para Status - 1 Data Value
0x02	0x30010010	0x3001	-	Para Status - 2 Data Value
0x03	0x30020010	0x3002	-	Para Status - 3 Data Value
0x04	0x30030010	0x3003	-	Para Status - 4 Data Value

Para Status -x Data Value 는 COM-31~34 까지 설정되어 있는 통신주소의 파라미터를 Read 할 값입니다.

7. 인버터 파라미터

7.1 관련 파라미터 리스트

Code	Description	Keypad Display	Setting Range	Factory Default	Type/Units
CNF-30	인버터에 장착된 옵션보드 종류	Option-1 Type	-	"CANopen"	
DRV-06	옵션으로부터 운전지령을 받을 지 설정	Cmd Source	"FieldBus"	"FX/RX-1"	
DRV-07	옵션으로부터 주파수지령을 받을 지 설정	Freq Source	"FieldBus"	"Keypad-1"	
DRV-08	옵션으로부터 토크지령을 받을 지 설정	Trq Source	"FieldBus"	"Keypad-1"	
COM-06	옵션 보드 Version	FBus S/W Ver	-	-	X.XX
COM-07	국번 설정	FBus ID	1~127	1	X
COM-09	CANopen의 LED상태	FBus LED	-	-	-
COM-10	CANopen 속도	Opt Parameter1	0~7	0	X
COM-11	CANopen Profile선택	Opt Parameter2	0-1	0	X

I/O POINT MAP

Code	Description	Keypad Display	Setting Range	Factory Default	Type/Units
COM-31	CANopen마스터에서 읽어갈 TPDO Data의 Keypad Addr	Para Status - 1	0x0000-0xFFFF	0x000A	0xXXXX Hex
COM-32	CANopen마스터에서 읽어갈 TPDO Data의 Keypad Addr	Para Status - 2	0x0000-0xFFFF	0x000D	0xXXXX Hex
COM-33	CANopen마스터에서 읽어갈 TPDO Data의 Keypad Addr	Para Status - 3	0x0000-0xFFFF	0x000F	0xXXXX Hex
COM-34	CANopen마스터에서 읽어갈 TPDO Data의 Keypad Addr	Para Status - 4	0x0000-0xFFFF	0x0000	0xXXXX Hex
COM-51	CANopen마스터에서 제어할 RPDO Data의 Keypad Addr	Para Control - 1	0x0000-0xFFFF	0x0005	0xXXXX Hex
COM-52	CANopen마스터에서 제어할 RPDO Data의 Keypad Addr	Para Control - 2	0x0000-0xFFFF	0x0006	0xXXXX Hex
COM-53	CANopen마스터에서 제어할 RPDO Data의 Keypad Addr	Para Control - 3	0x0000-0xFFFF	0x0000	0xXXXX Hex
COM-54	CANopen마스터에서 제어할 RPDO Data의 Keypad Addr	Para Control - 4	0x0000-0xFFFF	0x0000	0xXXXX Hex
COM-94	옵션에 파라미터 반영	Comm Update	"No" "Yes"	"No"	-
PRT-12	Lost Command가 발생하였을 경우 인버터 동작 설정	Lost Cmd Mode	"None" "Free-Run" "Dec" "Hold Input" "Hold Output" "Lost Preset"	"None"	-
PRT-13	Lost Command 발생 시간 설정	Lost Cmd Time	0.1~120.0	1.0	0.0 sec
PRT-14	Lost Preset의 속도를 설정	Lost Preset F	0.00	0	Hz/Rpm

7.2 기본 Field Bus Parameter 설명

7.2.1 COM 07 FBus ID

인버터에서 설정가능 범위는 0~127 까지 설정이 가능하나 0 은 CANopen 에서 사용하지 않는 국번으로 0 을 설정하였을 경우 CANopen 옵션에서 ERR LED 가 깜박이게 됩니다. (3.2 장 참조)

7.2.2 COM 09 FBus LED

CANopen 보드에 있는 LED 를 표현하는 파라미터입니다.

0Bit : CPU LED

- 1Bit : ERR LED
- 2Bit : NODE LED
- 3Bit : BUS LED

COM-09 LED 상태 예)



BUS LED(Green)	NODE LED(Green)	ERR LED(Red)	CPU LED(Green)
OFF	ON	ON	ON

7.2.3 COM 94 Comm Update

Keypad 로 설정되어 있는 값들을 CANopen 옵션에 반영하기 위해 Yes 를 눌러 주어야 합니다.

7.3 Opt Parameter 설명

7.3.1 COM 10 Opt Parameter1

CANopen 통신속도를 설정하는 파라미터 입니다.

설정 범위는 0~7

- 0 : 1Mbps
- 1 : 800Kbps
- 2 : 500Kbps
- 3 : 250Kbps
- 4 : 125Kbps
- 5 : 100Kbps
- 6 : 50Kbps
- 7 : 20Kbps

Default 는 0: 1Mbps 입니다.

7.3.2 COM 11 Opt Parameter2

Profile 선택하는 파라미터입니다.

설정범위 0~1

- 0 : CiA 402 Drive and Motion Control Velocity Mode (Frequency Converter PDO1)
- 1 : LS Device Profile(PDO3)

Default 는 0: CiA 402 Profile 입니다.

7.4 주기 통신용 파라미터 설정

7.4.1 COM 31~34 Para Status

COM 11 에서 LS Device Profile 이 선택되었을 경우에만 설정이 가능합니다.

4 개의 파라미터 주소를 지정하여 TPDO3 를 통해 마스터에 파라미터 값을 전송하게 됩니다.

CiA 402 Velocity Mode 가 선택되었을 경우에는 숨김 처리가 되어 설정이 금지됩니다.

7.4.2 COM 51~54 Para Control

COM 11 에서 LS Device Profile 이 선택되었을 경우에만 설정이 가능합니다.

4 개의 파라미터 주소를 지정하여 RPDO3 를 통해 마스터에 전송된 파라미터 값을 쓰게 됩니다.

CiA 402 Velocity Mode 가 선택되었을 경우에는 숨김 처리가 되어 설정이 금지됩니다.

7.5 Lost Command 파라미터 설정

IS7 CANopen 의 Lost Command 의 판단 조건은 CANopen 의 NMT 상태가 Operation 일 때 Master 와 Slave 가 연결되어 있다고 판단하여 Lost Command 를 발생시키지 않습니다. 즉 NMT State 가 Operation 이외의 상태가 PRT-13 에 설정되어 있는 시간이 지나면 Inverter 는 Lost Command 상태가 됩니다. 단 주파수 지령, 운전 지령 중 하나 이상이 Fieldbus 로 설정되어 있어야 Lost Command 가 발생합니다.

7.5.1 PRT-12 Lost Cmd Mode

None: Inverter 가 Lost Command 상태가 되어도 아무런 조치를 하지 않습니다.

Free-Run: Lost Command 상태가 되면 모터는 Free Run 정지를 하게 되고 Lost Command Trip 이 발생합니다.

Dec: Lost Command 상태가 되면 모터는 Trip 감속 정지를 하게 되고 Lost Command Trip 이 발생합니다.

Hold Input: 마지막으로 들어온 속도지령으로 모터는 계속 운전하면서 Lost Command Warning 이 발생합니다.

Hold Output: 현재 운전 속도로 모터는 계속 운전하면서 Lost Command Warning 이 발생합니다.

Lost Preset: PRT-14 에 설정된 운전 속도로 모터는 계속 운전하면서 Lost Command Warning 이 발생합니다.

7.5.2 PRT-13 Lost Cmd Time

CANopen 이 통신을 하면서 MNT State 가 Operation 이외의 상태가 PRT-13 에 설정되어 있는 시간 이상으로 유지가 되면 Inverter 는 Lost Command 상태가 됩니다.

7.5.3 PRT-14 Lost Preset F

PRT-12 의 Lost Cmd Mode 에서 Lost Preset 으로 설정되었을 경우 Inverter 가 Lost command 상태가 되면

PRT-14 에 설정되어 있는 속도로 Inverter 는 Motor 를 구동 시킵니다.

품질 보증서

제품명	LS ELECTRIC 통신옵션카드	설치 일자	
모델명	SV-iS7 CANopen 통신 카드	보증 기간	
고객	성명		
	주소		
	전화		
판매점	성명		
	주소		
	전화		

알아두기

본 제품은 LS ELECTRIC 기술진의 엄격한 품질관리 및 검사과정을 거쳐서 만들어진 제품입니다. 제품 보증 기간은 통상 설치일로부터 12개월이며, 설치일자가 기입되지 않았을 경우에는 제조일로부터 18개월로 적용합니다. 단, 계약조건에 따라 변경 될 수 있습니다.

●무상 서비스 안내

- ▶ 정상적인 사용상태에서 제품보증기간 이내에 고장이 발생했을 경우, 당사 특약점이나 지정 서비스 센터에 의뢰하시면 무상으로 수리하여 드립니다.

●유상 서비스 안내

- ▶ 다음과 같은 경우에 유상 수리를 받아야 합니다.
- ▶ 소비자의 고의 또는 부주의로 고장이 발생한 경우
- ▶ 사용 전원의 이상 및 접속 기기의 불량으로 인해 고장이 발생한 경우
- ▶ 천재지변에 의해 고장이 발생한 경우(화재, 수해, 가스해, 지진 등)

LS ELECTRIC 명판이 부착되어 있지 않은 경우

■ **Headquarter**

LS-ro 127(Hogye-dong) Dongan-gu, Anyang-si, Gyeonggi-Do, 14119, Korea

■ **Seoul Office**

LS Yongsan Tower, 92, Hangang-daero, Yongsan-gu, Seoul, 04386, Korea

Tel: 82-2-2034-4033, 4888, 4703 Fax: 82-2-2034-4588

E-mail: automation@lselectric.co.kr

■ **Overseas Subsidiaries**

• **LS ELECTRIC Japan Co., Ltd. (Tokyo, Japan)**

Tel: 81-3-6268-8241 E-Mail: jschuna@lselectric.biz

• **LS ELECTRIC (Dalian) Co., Ltd. (Dalian, China)**

Tel: 86-411-8730-6495 E-Mail: jiheo@lselectric.com.cn

• **LS ELECTRIC (Wuxi) Co., Ltd. (Wuxi, China)**

Tel: 86-510-6851-6666 E-Mail: sblee@lselectric.co.kr

• **LS ELECTRIC Vietnam Co., Ltd.**

Tel: 84-93-631-4099 E-Mail: jhchoi4@lselectric.biz (Hanoi)

Tel: 84-28-3823-7890 E-Mail: sjbaik@lselectric.biz (Hochiminh)

• **LS ELECTRIC Middle East FZE (Dubai, U.A.E.)**

Tel: 971-4-886-5360 E-Mail: salesme@lselectric.biz

• **LS ELECTRIC Europe B.V. (Hoofddorp, Netherlands)**

Tel: 31-20-654-1424 E-Mail: europartner@lselectric.biz

• **LS ELECTRIC America Inc. (Chicago, USA)**

Tel: 1-800-891-2941 E-Mail: sales.us@lselectricamerica.com

■ **Overseas Branches**

• **LS ELECTRIC Tokyo Office (Japan)**

Tel: 81-3-6268-8241 E-Mail: jschuna@lselectric.biz

• **LS ELECTRIC Beijing Office (China)**

Tel: 86-10-5095-1631 E-Mail: khpaek@lselectric.com.cn

• **LS ELECTRIC Shanghai Office (China)**

Tel: 86-21-5237-9977 E-Mail: tsjun@lselectric.com.cn

• **LS ELECTRIC Guangzhou Office (China)**

Tel: 86-20-3818-2883 E-Mail: chenxs@lselectric.com.cn

• **LS ELECTRIC Chengdu Office (China)**

Tel: 86-28-8670-3201 E-Mail: yangcf@lselectric.com.cn

• **LS ELECTRIC Qingdao Office (China)**

Tel: 86-532-8501-2065 E-Mail: wangzy@lselectric.com.cn

• **LS ELECTRIC Nanjing Office (China)**

Tel: 86-25-8467-0005 E-Mail: ylong@lselectric.com.cn

• **LS ELECTRIC Bangkok Office (Thailand)**

Tel: 66-90-950-9683 E-Mail: sjleet@lselectric.biz

• **LS ELECTRIC Jakarta Office (Indonesia)**

Tel: 62-21-2933-7614 E-Mail: dioh@lselectric.biz

• **LS ELECTRIC Moscow Office (Russia)**

Tel: 7-499-682-6130 E-Mail: jdpark1@lselectric.biz

• **LS ELECTRIC America Western Office (Irvine, USA)**

Tel: 1-949-333-3140 E-Mail: wyyun@lselectricamerica.com

www.lselectric.co.kr

LS ELECTRIC Co., Ltd.



고객센터 - 신속한 서비스, 든든한 기술지원

전화. **1544-2080** | 홈페이지. www.lselectric.co.kr

사용설명서의 사양은 지속적인 제품 개발 및 개선으로 인해 예고없이 변경될 수 있습니다.

■ **본사 : 서울특별시 용산구 한강대로 92 LS용산타워 14층**

■ **구입문의**

서울영업 TEL: (02)2034-4623~38 FAX: (02)2034-4057
 부산영업 TEL: (051)310-6855~60 FAX: (051)310-6851
 대구영업 TEL: (053)603-7741~8 FAX: (053)603-7788
 서부영업 (광주) TEL: (062)510-1891~92 FAX: (062)526-3262
 서부영업 (대전) TEL: (042)820-4240~42 FAX: (042)820-4298

■ **A/S 문의**

기술상담센터 TEL: (전국)1544-2080 FAX: (031)689-7290
 서울/경기 Global 지원팀 TEL: (031)689-7112 FAX: (031)689-7113
 천안 Global 지원팀 TEL: (041)550-8308~9 FAX: (041)554-3949
 부산 Global 지원팀 TEL: (051)310-6922~3 FAX: (051)310-6851
 대구 Global 지원팀 TEL: (053)603-7751~4 FAX: (053)603-7788
 광주 Global 지원팀 TEL: (062)510-1885~6 FAX: (062)526-3262

■ **교육 문의**

연수원 TEL: (043)268-2631~2 FAX: (043)268-4384
 서울/경기교육장 TEL: (031)689-7107 FAX: (031)689-7113
 부산교육장 TEL: (051)310-6860 FAX: (051)310-6851
 대구교육장 TEL: (053)603-7744 FAX: (053)603-7788

■ **기술 문의**

기술상담센터 TEL: (전국)1544-2080 FAX: (031)689-7290
 동현 산전 (안양) TEL: (031)479-4785~6 FAX: (031)479-4784
 나노오로메이션 (대전) TEL: (042)336-7797 FAX: (042)636-8016
 신광 ENG (부산) TEL: (051)319-1051 FAX: (051)319-1052
 에이앤디시스템 (부산) TEL: (051)319-0668 FAX: (051)319-0669

■ **LS ELECTRIC은 전 세계 주요 국가에 현지 서비스 파트너 사를 보유하고 있으며, 상세 사항은 [홈페이지 (www.lselectric.co.kr) 서비스센터 안내]를 참고하여 주십시오.**

■ **서비스 지정점**

명 산전 (서울)	TEL: (02)462-3053	FAX: (02)462-3054
TPI시스템 (서울)	TEL: (02)895-4803~4	FAX: (02)6264-3545
우진산전 (의정부)	TEL: (031)877-8273	FAX: (031)878-8279
신진시스템 (안산)	TEL: (031)494-9607	FAX: (031)494-9608
드림시스템 (평택)	TEL: (031)665-7520	FAX: (031)667-7520
스마트산전 (안양)	TEL: (031)430-4629	FAX: (031)430-4630
세아산전 (안양)	TEL: (031)340-5228	FAX: (031)340-5229
성원M&S (인천)	TEL: (032)588-3750	FAX: (032)588-3751
파란자통화 (천안)	TEL: (041)554-8308	FAX: (041)554-8310
태영시스템 (대전)	TEL: (042)670-7363	FAX: (042)670-7364
디에스산전 (청주)	TEL: (043)237-4816	FAX: (043)237-4817
조은시스템 (부산)	TEL: (051)319-3923	FAX: (051)319-3924
산전테크 (부산)	TEL: (051)319-1025	FAX: (051)319-1026
서진산전 (울산)	TEL: (052)227-0335	FAX: (052)227-0337
대명시스템 (대구)	TEL: (053)564-4370	FAX: (053)564-4371
제이엠산전 (포항)	TEL: (054)284-6050	FAX: (054)284-6051
지이티시스템 (구미)	TEL: (054)465-2304	FAX: (054)465-2315
제일시스템 (창원)	TEL: (055)273-6778	FAX: (050)4005-6778
자유시스템 (광주)	TEL: (062)714-1765	FAX: (062)714-1766
코리아FA (익산)	TEL: (063)838-8002	FAX: (063)838-8001
SJ주식회사 (전주)	TEL: (063)213-6900~1	FAX: (063)213-6902

■ **해외 서비스센터 - 중국사무소**

Shanghai (상해)	TEL: (8621)5237-9977	FAX: (8621)5237-7192
Beijing (북경)	TEL: (8610)5095-1617	FAX: (8610)5095-1620
Guangzhou (광주)	TEL: (8620)3818-2885	FAX: (8620)3818-2886
Chengdu (성도)	TEL: (8628)8670-3201	FAX: (8628)8670-3203
Qingdao (청도)	TEL: (86532)8501-2065	FAX: (86532)8501-6057

· 지속적인 제품 개선으로 본 매뉴얼의 내용과 제품 기능에 일부 차이가 있을 수 있습니다.

LS ELECTRIC은 이로 인한 손해, 배상에 책임을 지지 않으므로 제품을 사용하시기 전에 반드시 매뉴얼과 제품의 버전을 확인하시기 바랍니다.

© LS ELECTRIC Co., Ltd 2020 All Right Reserved.

SV-IS7 / 2020.05

10310000932

